

# PARTS LIST

[ UX-P78V ]

\* All printed circuit boards and its assemblies are not available as service parts.

## Area suffix

US ----- Singapore  
UN ----- Asean

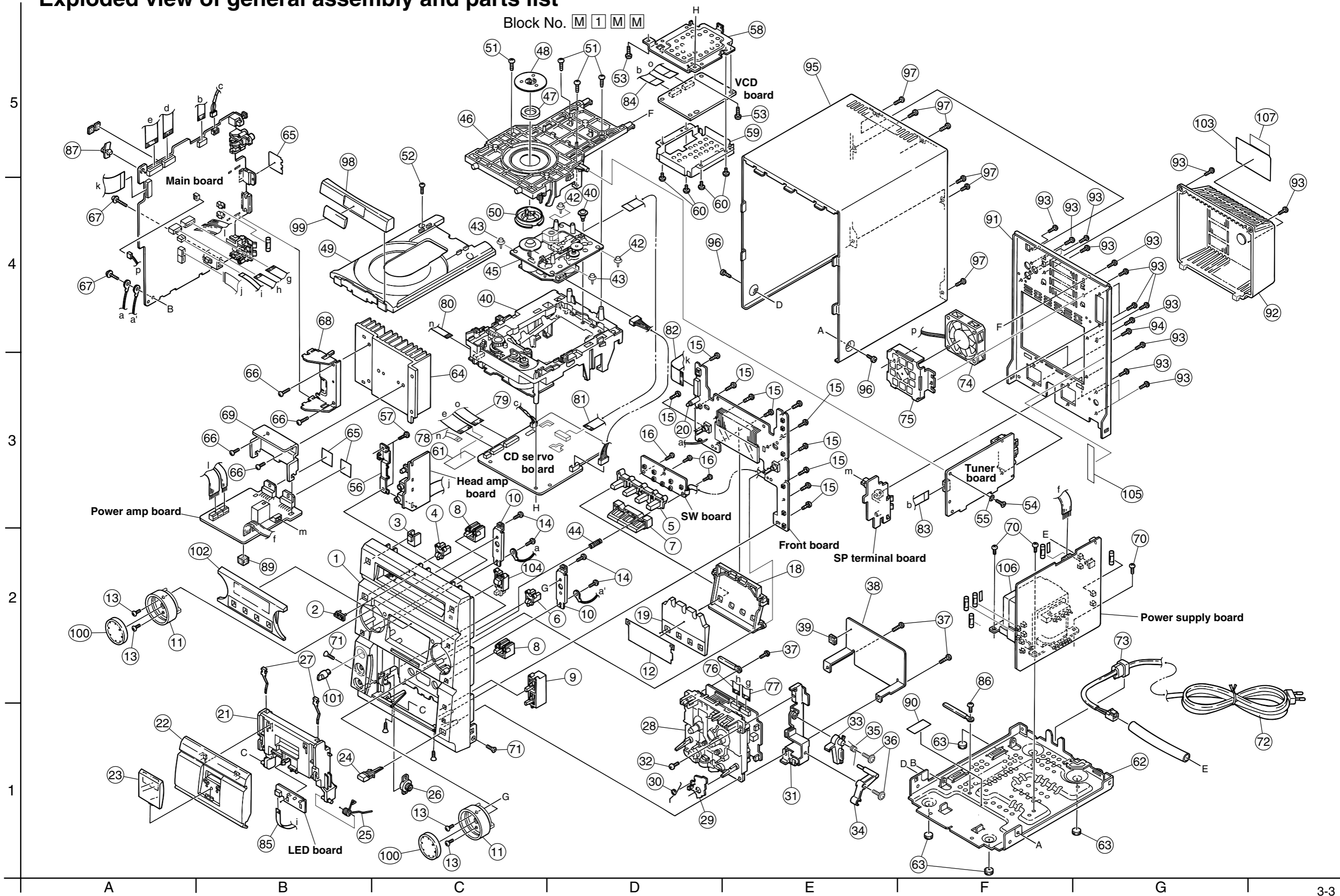
## - Contents -

Exploded view of general assembly and parts list (Block No.M1) .....	3- 3
CD loading base assembly and parts list (Block No.MD) .....	3- 6
Cassette mechanism assembly and parts list (Block No.MP) .....	3- 8
Electrical parts list (Block No.01~07) .....	3-10
Packing materials and accessories parts list (Block No.M3,M5) .....	3-24

< MEMO >

# Exploded view of general assembly and parts list

Block No. M 1 M M



## ■ Parts list (General assembly)

Block No. M1MM

△	Item	Parts number	Parts name	Q'ty	Description	Area
	1	GV10064-011A	FRONT PANEL	1		
	2	GV40077-002A	JVC BADGE	1		
	3	GV40147-001A	REMOTE LENS	1		
	4	GV40148-002A	POWER BUTTON	1		
	5	GV30158-001A	FUNCTION BTN	1		
	6	GV40153-002A	SOUND BUTTON	1		
	7	GV30159-003A	CONTROL BTN.	1		
	8	GV40149-002A	BUTTON A	2		
	9	GV40151-002A	CASS.BUTTON	1		
	10	GV40158-001A	ORNAMENT BKT	2		
	11	GV40157-001A	VOL.ECS (B)	2		
	12	GV40179-001A	LCD SHEET	1		
	13	QYSBSG3006Z	T.SCREW	4	VOL.ORN/ORN.BKT	
	14	QYSBSF3008Z	SCREW	4	ORN.BKT/F.PANEL	
	15	QYSBSF3008Z	SCREW	11	PWB BRD/F.PANEL	
	16	QYSBSF3008Z	SCREW	3	CONT.BTN.BOARD	
	18	GV30162-001A	LCD HOLDER	1		
	19	GV40173-002A	LCD LENS	1		
	20	GV40194-001A	LED HOLDER	1	LED(STANDBY)	
	21	GV20109-001A	CASS.HOLDER	1		
	22	GV20110-002A	DOOR COVER	1		
	23	GV40160-002A	DOOR LENS	1		
	24	GV30178-005A	2JECT BTN.	1		
	25	GV40262-001A	DDOR SPRING	1		
	26	GV40034-001A	DAMPER ASSY	1		
	27	VKY4180-401	CASSETTE SPRING	2		
	28	-----	CASSETTE MECHA	1		
	29	VKL7850-002	EJECT SAFTY(R)	1		
	30	VKW5258-003	TORSION SPRING	1		
	31	GV30224-001A	MECHA BRACKET	1		
	32	QYSBSG3008Z	T.SCREW	1	M.BKT/SLC MECHA	
	33	GV40238-001A	EJECT ARM A	1		
	34	GV40239-001A	EJECT ARM B	1		
	35	GV40254-002A	EJECT SPRING	1	MECHA BKT./E.AR	
	36	VKZ4341-204	SPECIAL SCREW	2	LOCK ARM/M.BKT	
	37	QYSBSF3012Z	SCREW	4	SLC./F.PANEL	
	38	GV30124-002A	SHIELD	1		
	39	GV40170-003A	SPACER	1	SLC(MOTOR)/T.SH	
	40	-----	LOAD BASE ASSY	1		
	41	E406293-001	SPECIAL SCREW	1	CD MECHA/LOAD.B	
	42	GV40196-001A	INSULATOR	2		
	43	GV40196-002A	INSULATOR	2		
	44	GV40212-001A	SPRING	1		
	45	KSM-213CCMJ	CD MECHA ASSY.	1		
	46	GV10066-001A	CLAMPER BASE	1		
	47	VYH7313-005	MAGNET	1		
	48	E306836-223SS	CD YOKE	1		
	49	VYH1240-001	TRAY	1		

## ■ Parts list (General assembly)

Block No. M1MM

△	Item	Parts number	Parts name	Q'ty	Description	Area
	50	GV30202-001A	CD CLAMPER	1		
	51	QYSBSF3008Z	SCREW	4	CLAMP.BASE/LOAD	
	52	QYSBSF3008Z	SCREW	1	CD TRAY STOPPER	
	53	QYSBSF3008Z	SCREW	2	CD BRD/LOAD.ASS	
	54	QYSSSF3010Z	SCREW	1	TUNER/C.BASE AS	
	55	GV40122-003A	SPACER	1		
	56	GV40231-001A	JACK BRACKET	1		
	57	QYSBSF3010Z	SCREW	2	BRACKET/F.PANEL	
	58	GV30220-001A	SHIELD CASE(UPP	1	(UPPER)	
	59	GV30221-001A	SHIELD CASE(LOW	1	(LOWER)	
	60	QYSBST3004Z	T.SCREW	4	S.CASE(UP&LOWER	
	61	GV40242-005A	SPACER	1	CN102(VIDEO BRD	
	62	GV10065-001A	BOTTOM CHASSIS	1		
	63	GV40184-001A	FOOT SPACER	4	CHAS.BASE FOOT	
	64	GV30194-002A	HEAT SINK C	1		
	65	GV40206-001A	MICA SHEET(A)	3		
	66	QYSBSF3012Z	SCREW	4	IC BKT./H.SINK	
	67	QYSBSFG3016Z	SCREW	2	PWB BRD/CHA.BAS	
	68	GV30168-001A	IC BRACKET	1		
	69	GV30193-002A	IC HOLDER	1	SUBWOOFER(FMH)	
	70	QYSBST4006Z	T.SCREW	4	TRANS/CHA.BASE	
	71	QYSSST3008Z	SCREW	2	F.PANEL/C.BASE	
△	72	QMPK210-205-JN	POWER CORD	1		
△	73	QZW0033-001	STRAIN RELIEF	1		
	74	QAR0170-001	FAN MOTOR	1		
	75	GV30169-002A	FAN BRACKET	1		
	76	QUQD12-0914AJ	CARD WIRE FC 33	1	SLC TO FMC	
	77	QUQD12-1018AJ	CARD WIRE FC 33	1	SLC TO FMC	
	78	QUQE10-1913BJ	CARD WIRE FC652	1	CD TO FMC	
	79	FQUQ10-1507AJ	CARD WIRE FC651	1	CD TO MPEG	
	80	QUQD12-0507BJ	CARD WIRE FC631	1	CD MTR TO CD	
	81	QUQ110-1609AJ	FFC WIRE FC601	1	CD BRD TO CD	
	82	QUQD12-1710BJ	CARD WIRE FC932	1	FRONT TO FMC	
	83	QUQD12-0932BJ	CARD WIRE FC 1	1	TUNER TO FMC	
	84	WJU0008-001A	CARD WIRE FC102	1	MPEG TO FMC	
	85	QUQD12-0426AJ	CARD WIRE FC634	1	SLC DOOR TO FMC	
	86	QYSBSG3008Z	T.SCREW	1	W.HOLDER/BTTM.C	
	87	GV40223-001A	PUSH SPACER	1	MAIN BRD./M.COV	
	89	GV40170-004A	SPACER	1	SUB.BRD/TRANSFO	
	90	VYSA1R4-100	SPACER	1		
	91	GV10067-011A	REAR PANEL	1		
	92	GV10068-002A	REAR COVER	1		
	93	QYSBSGY3008E	SPECIAL SCREW	16	ANT.TEM/R.PANEL	
	94	QYSBSF3012E	SPECIAL SCREW	2	VOL.SEL./R.PANE	
	95	GV10069-003A/S/	METAL COVER	1		
	96	QYSDSG3006N	T.SCREW	2	M.COVER/C.BASE	
	97	QYSBSGY3008E	SPECIAL SCREW	6	M.COVER/R.PANEL	
	98	GV30165-002A	TRAY FITTING B	1		

**■ Parts list (General assembly)**

Block No. M1MM

△	Item	Parts number	Parts name	Q'ty	Description	Area
	99	GV40166-002A	FITTING LENS	1		
	100	GV40155-001A	VOL.KNOB (B)	2		
	101	GV40017-002A	MIC VOL KNOB	1		
	102	GV30161-002A	FRONT LENS(B)	1		
	103	GV30172-033A	RATING LABEL	1		UN
		GV30172-032A	RATING LABEL	1		US
	104	GV40233-001A	CD BUTTON	1		
	105	LV41843-001A	LASER CAUTION	1		
△	106	QQT0324-003	POWER TRANSF	1	T1000	
	107	GV40255-001A	LABEL	1		UN

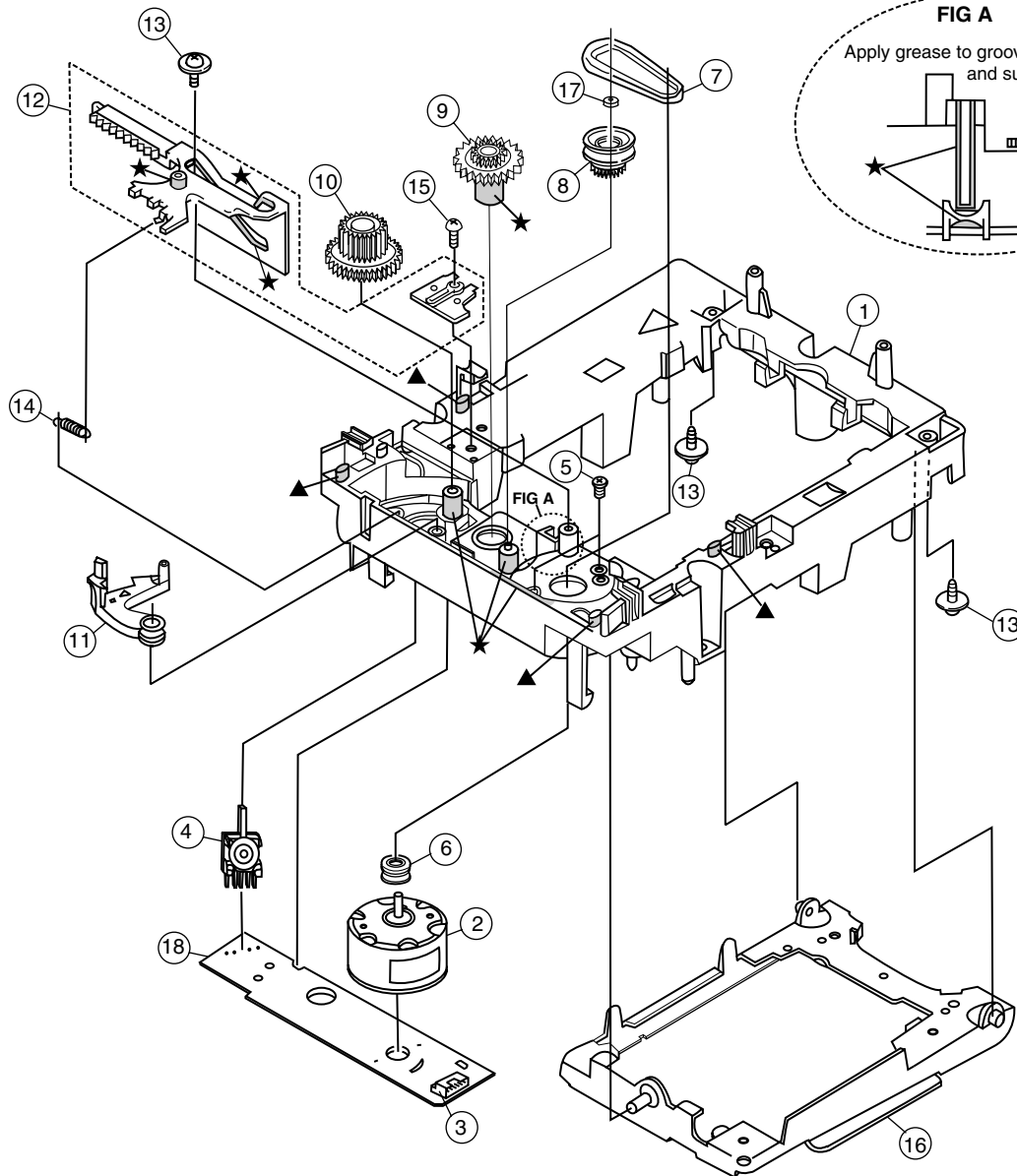
# CD loading base assembly and parts list

Block No. M D M M

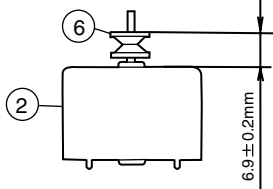
LOAD-JEM-2M

**Grease**

- ★ = G-474C
- ▲ = EBS0006-009B



Dimension gap for motor pulley



**■ Parts list (CD loading base)**

Block No. MDMM

▲	Item	Parts number	Parts name	Q'ty	Description	Area
	1	VYH1238-001	LOADING BASE	1		
	2	MMN-6F1LB8K	MOTOR	1		
	3	QGF1201F3-05	CONNECTOR	1	CN505	
	4	QSW0472-001	SWITCH	1	S851	
	5	QYSPSPT2640Z	MINI SCREW	2		
	6	E75984-221SS	C.D M.PULLEY	1		
	7	E75950-002	BELT	1		
	8	E75985-221SS	C.D GEAR (1)	1		
	9	E75986-221SS	C.D GEAR (2)	1	PBT	
	10	E75987-221SS	C.D GEAR (3)	1		
	11	E307162-331SS	LEVER	1		
	12	E307252-331SS	CAM PLATE	1		
	13	E65923-003	TAPPING SCREW	1		
	14	VYH7787-001	LEAF SPRING	1		
	15	QYSBSF3008Z	TAPPING SCREW	1		
	16	E307179-222SM	E.BASE ASS'Y	1		
	17	E60912-005SS	SPEED NUT	1		
	18	VMW1329-102	PRINTED BOARD	1		

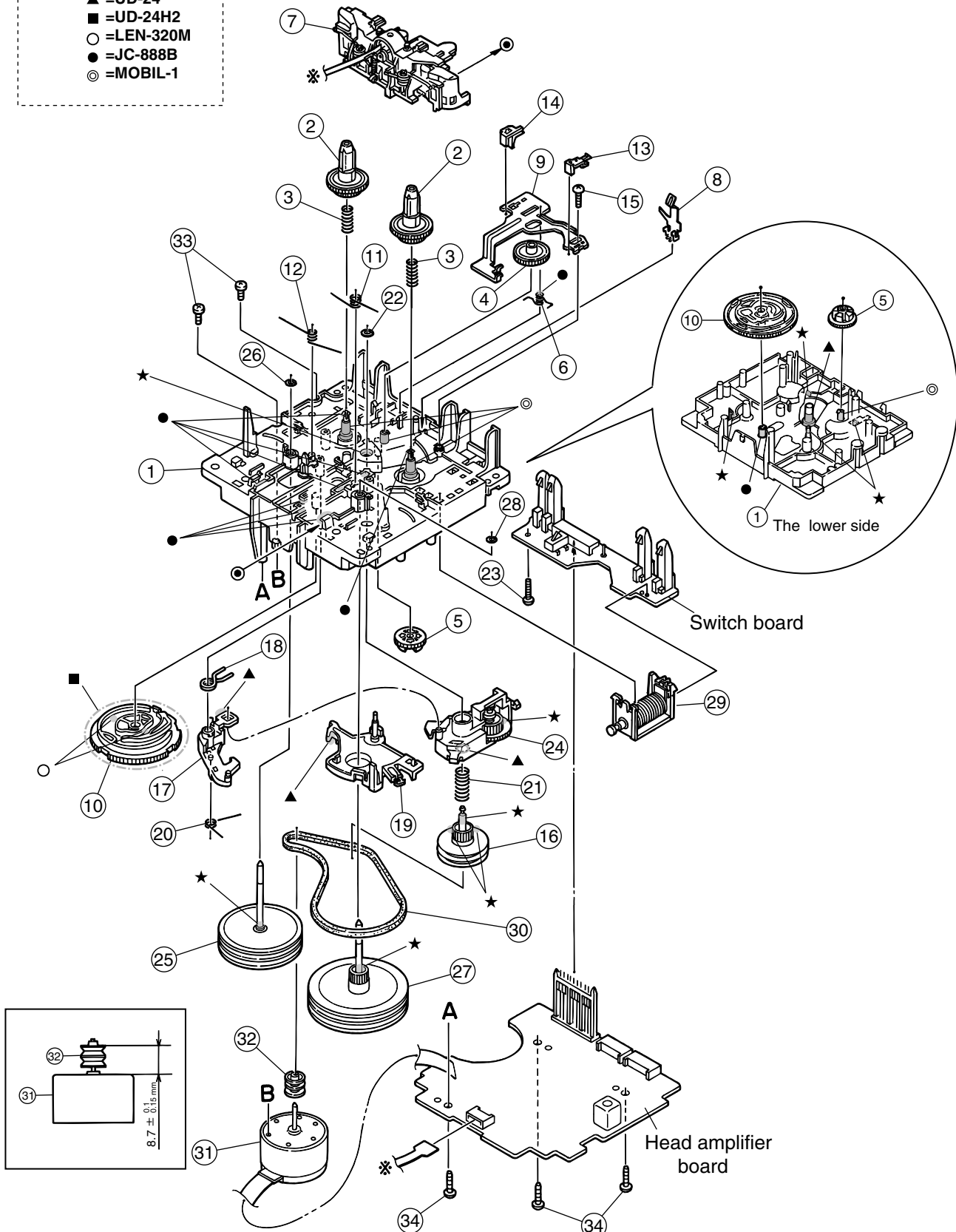
# Cassette mechanism assembly and parts list

SLC-S21M

Block No. M P M M

**Grease**

- ★ =EM-30L
- ▲ =UD-24
- =UD-24H2
- =LEN-320M
- =JC-888B
- ◎ =MOBIL-1





**Parts list (Cassette mechanism)**

Block No. MPM

A	Item	Parts number	Parts name	Q'ty	Description	Area
	1	VKS1165-00J	CHASSIS B.ASS'Y	1		
	2	VKS2274-002	REEL GEAR	2		
	3	VKW5286-002	B.T. SPRING	2		
	4	VKS5559-001	PLAY IDLE GEAR	1		
	5	VKS5597-00B	BLIND	1		
	6	VKW5296-001	EARTH SPRING	1		
	7	SLC-RP1SVM	HEAD MOUNT ASSY	1		
	8	VKY3149-002	CASSETTE SP.	1		
	9	LV31786-001A	PLAY SW LEVER	1		
	10	VKS1166-003	CONTROL CAM	1		
	11	VKW5279-001	HEAD BASE SP(R)	1		
	12	VKW5280-001	HEAD BASE SP(L)	1		
	13	LV41584-001A	BRAKE(R)	1		
	14	LV41585-002A	BRAKE(L)	1		
	15	QYSBSF2005Z	T.SCREW	1		
	16	VKS5603-00G	MAIN PULLEY ASY	1		
	17	VKS3785-001MM	FR ARM	1		
	18	VKW5284-002	SWING SPRING	1		
	19	VKS2278-003	TRIGGER ARM	1		
	20	VKW5301-001	FR SPRING	1		
	21	VKW5266-001	ELEVATOR SPRING	1		
	22	WDL214025	WASHER	1		
	23	QYSBSF2005Z	T.SCREW	1		
	24	VKS3786-00G	CLUTCH ASS'Y	1		
	25	VKF3205-00B	F.WHEEL ASSY(R)	1		
	26	WDL183425	SLIT WASHER	1		
	27	VKF3207-00B	F.WHEEL ASSY(L)	1		
	28	WDL173525-6	SLIT WASHER	1		
	29	VKZ3174-00A	DC SOLENOID	1		
	30	LV42234-001A	CAPSTAN BELT	1		
	31	MSI-5U2LWA	D.C.MOTOR ASS'Y	1		
	32	VKR4761-001	MOTOR PULLEY	1		
	33	QYSPSP2604Z	SCREW	2		
	34	QYSBSF2608Z	T.SCREW	3	FOR P.W.B.	

## ■ Electrical parts list (Main board)

Block No. 01

△	Item	Parts number	Parts name	Remarks	Area	△	Item	Parts number	Parts name	Remarks	Area
	CN900	QGF1205C1-10	CONNECTOR	SLC			C2122	QFLC1HJ-333Z	M CAPACITOR	.033MF 5% 50V	
	CN901	QGF1205C1-09	CONNECTOR	SLC			C2123	QTE1C06-226Z	E CAPACITOR		
	CN902	QGF1205F1-09	CONNECTOR	TUNER			C2124	QFLC1HJ-104Z	M CAPACITOR	.10MF 5% 50V	
	CN903	QGF1016F3-19	CONNECTOR	CD			C2125	QFLC1HJ-104Z	M CAPACITOR	.10MF 5% 50V	
	CN904	QGF1016F3-15	15FFC CONNECTOR	VIDEO			C2126	QFLC1HJ-822Z	M CAPACITOR	8200PF 5% 50V	
	CN905	QGA2501F1-03	CONNECTOR	OPTICAL			C2127	QDGB1HK-102Y	C CAPACITOR		
	CN908	QGA2501C1-02	2P CONNECTOR				C2128	QTE1V06-106Z	E CAPACITOR		
	CN913	QGD2504C1-04Z	SOCKET	HP			C2129	QCBB1HK-331Y	C.CAPACITOR	330PF 10% 50V	
	CN914	QGD2504C1-04Z	SOCKET	MIC			C2130	QFLC1HJ-104Z	M CAPACITOR	.10MF 5% 50V	
	CN931	QGF1205F1-17	CONNECTOR	TO FRONT BRD			C2131	QFLC1HJ-104Z	M CAPACITOR	.10MF 5% 50V	
	CN933	QGF1205C1-04	CONNECTOR				C2132	QCFB1HZ-104Y	C CAPACITOR	EMC	
	C2000	QCBB1HK-221Y	C CAPACITOR	220PF 10% 50V			C2133	QDXB1CM-332Y	C.CAPACITOR	EMC	
	C2005	QEK1HM-475Z	E.CAPACITOR	4.7MF 20% 50V			C2134	QETN1HM-225Z	E CAPACITOR	2.2MF 20% 50V	
	C2006	QEK1HM-475Z	E.CAPACITOR	4.7MF 20% 50V			C2135	QCBB1HK-471Y	C CAPACITOR	470PF 10% 50V	
	C2007	QTE1V06-106Z	E.CAPACITOR				C2136	QCBB1HK-151Y	C CAPACITOR	150PF 10% 50V	
	C2008	QEK1HM-475Z	E.CAPACITOR	4.7MF 20% 50V			C2137	QETN1AM-107Z	E CAPACITOR	100MF 20% 10V	
	C2009	QEK1HM-475Z	E.CAPACITOR	4.7MF 20% 50V			C2138	QETN1CM-226Z	E CAPACITOR	22MF 20% 16V	
	C2010	QEK1HM-475Z	E.CAPACITOR	4.7MF 20% 50V			C2139	QETN1CM-226Z	E CAPACITOR	22MF 20% 16V	
	C2011	QFLC1HJ-272Z	M.CAPACITOR	2700PF 5% 50V			C2200	QETM1EM-828	E CAPACITOR	8200MF 20% 25V	
	C2012	QFVJ1HJ-104Z	MF CAPACITOR	.10MF 5% 50V			C2207	QFLC1HJ-104Z	M CAPACITOR	.10MF 5% 50V	
	C2013	QFVJ1HJ-104Z	MF CAPACITOR	.10MF 5% 50V			C2211	QDYB1CM-103Y	C.CAPACITOR		
	C2014	QFVJ1HJ-334Z	M.CAPACITOR	.33MF 5% 50V			C2212	EETC1HM-105ZJC	E.CAPACITOR		
	C2015	QFVJ1HJ-334Z	M.CAPACITOR	.33MF 5% 50V			C2213	EETC1CM-106ZJC	E.CAPACITOR		
	C2016	QFLC1HJ-104Z	M.CAPACITOR	.10MF 5% 50V			C2214	EETC1HM-105ZJC	E.CAPACITOR		
	C2017	QETN1HM-225Z	E.CAPACITOR	2.2MF 20% 50V			C2215	EEKC1CM-226ZJC	E.CAPACITOR		
	C2018	QFLC1HJ-823Z	M.CAPACITOR	.082MF 5% 50V			C2217	EETC1CM-476ZJC	E.CAPACITOR		
	C2020	QTE1C06-226Z	E CAPACITOR				C2218	EETC1CM-226ZJC	E.CAPACITOR		
	C2021	QFVJ1HJ-334Z	M.CAPACITOR	.33MF 5% 50V			C2219	EETC1CM-476ZJC	E.CAPACITOR		
	C2022	QFLC1HJ-333Z	M CAPACITOR	.033MF 5% 50V			C2220	EETC1CM-226ZJC	E.CAPACITOR		
	C2023	QTE1C06-226Z	E CAPACITOR				C2221	EETC1AM-107ZJC	E.CAPACITOR		
	C2024	QFLC1HJ-104Z	M CAPACITOR	.10MF 5% 50V			C2222	EEKC1CM-107ZJC	E.CAPACITOR		
	C2025	QFLC1HJ-104Z	M CAPACITOR	.10MF 5% 50V			C2224	EETC1CM-107ZJC	E CAPACITOR		
	C2026	QFLC1HJ-822Z	M CAPACITOR	8200PF 5% 50V			C2225	QETC1AM-336Z	E CAPACITOR	33MF 20% 10V	
	C2027	QDGB1HK-102Y	C CAPACITOR				C2226	EETC1HM-105ZJC	E.CAPACITOR		
	C2028	QTE1V06-106Z	E CAPACITOR				C2227	EETC1CM-107ZJC	E CAPACITOR		
	C2029	QCBB1HK-331Y	C.CAPACITOR	330PF 10% 50V			C2228	EETC1HM-475ZJC	E.CAPACITOR		
	C2030	QFLC1HJ-104Z	M.CAPACITOR	.10MF 5% 50V			C2229	EETC1EM-106ZJC	E.CAPACITOR		
	C2031	QFLC1HJ-104Z	M CAPACITOR	.10MF 5% 50V			C2230	QETN1HM-105Z	E.CAPACITOR	P3/P7	
	C2032	QCFB1HZ-104Y	C CAPACITOR	EMC			C2231	QETN1HM-105Z	E.CAPACITOR	P3/P7	
	C2033	QDXB1CM-332Y	C.CAPACITOR				C2232	QFLC1HJ-333Z	M.CAPACITOR	P3/P7	
	C2034	QETN1HM-225Z	E CAPACITOR	2.2MF 20% 50V			C2233	QFLC1HJ-333Z	M.CAPACITOR	P3/P7	
	C2035	QCBB1HK-471Y	C CAPACITOR	470PF 10% 50V			C2235	EETC1HM-225ZJC	E.CAPACITOR		
	C2036	QCBB1HK-151Y	C CAPACITOR	150PF 10% 50V			C2236	EETC1CM-476ZJC	E.CAPACITOR		
	C2037	QETN1AM-107Z	E CAPACITOR	100MF 20% 10V			C2238	EETC1CM-106ZJC	E.CAPACITOR		
	C2038	QETN1CM-226Z	E CAPACITOR	22MF 20% 16V			C2239	QETN1HM-105Z	E CAPACITOR	1.0MF 20% 50V	
	C2039	QETN1CM-226Z	E CAPACITOR	22MF 20% 16V			C2240	QETN0JM-477Z	E CAPACITOR	470MF 20% 6.3V	
	C2100	QCBB1HK-221Y	C CAPACITOR	220PF 10% 50V			C2501	QDYB1CM-103Y	C.CAPACITOR		
	C2105	QEK1HM-475Z	E.CAPACITOR	4.7MF 20% 50V			C2502	QDGB1HK-103Y	C.CAPACITOR		
	C2106	QEK1HM-475Z	E.CAPACITOR	4.7MF 20% 50V			C2503	QDGB1HK-102Y	C CAPACITOR		
	C2107	QTE1V06-106Z	E.CAPACITOR				C2504	QDGB1HK-102Y	C CAPACITOR		
	C2108	QEK1HM-475Z	E.CAPACITOR	4.7MF 20% 50V			C2505	QDYB1CM-103Y	C.CAPACITOR		
	C2109	QEK1HM-475Z	E.CAPACITOR	4.7MF 20% 50V			C2506	QCBB1HK-471Y	C CAPACITOR	470PF 10% 50V	
	C2110	QEK1HM-475Z	E.CAPACITOR	4.7MF 20% 50V			C2507	QCBB1HK-471Y	C CAPACITOR	470PF 10% 50V	
	C2111	QFLC1HJ-272Z	M.CAPACITOR	2700PF 5% 50V			C2508	QCBB1HK-331Y	C CAPACITOR	330PF 10% 50V	
	C2112	QFVJ1HJ-104Z	MF CAPACITOR	.10MF 5% 50V			C2509	QCBB1HK-331Y	C CAPACITOR	330PF 10% 50V	
	C2113	QFVJ1HJ-104Z	MF CAPACITOR	.10MF 5% 50V			C2510	QDYB1CM-822Y	C.CAPACITOR		
	C2114	QFVJ1HJ-334Z	M.CAPACITOR	.33MF 5% 50V			C2511	QDYB1CM-822Y	C.CAPACITOR		
	C2115	QFVJ1HJ-334Z	M.CAPACITOR	.33MF 5% 50V			C2550	QCBB1HK-221Y	C CAPACITOR	220PF 10% 50V	
	C2116	QFLC1HJ-104Z	M.CAPACITOR	.10MF 5% 50V			C2551	QDGB1HK-102Y	C CAPACITOR		
	C2117	QETN1HM-225Z	E.CAPACITOR	2.2MF 20% 50V			C2552	QDGB1HK-102Y	C CAPACITOR		
	C2118	QFLC1HJ-823Z	M.CAPACITOR	.082MF 5% 50V			C2553	QDGB1HK-102Y	C CAPACITOR		
	C2120	QTE1C06-226Z	E CAPACITOR				C2554	QDGB1HK-102Y	C CAPACITOR		
	C2121	QFVJ1HJ-334Z	M.CAPACITOR	.33MF 5% 50V			C2555	QDGB1HK-102Y	C CAPACITOR		

## ■ Electrical parts list (Main board)

Block No. 01

△	Item	Parts number	Parts name	Remarks	Area	△	Item	Parts number	Parts name	Remarks	Area
	C2556	QDGB1HK-102Y	C CAPACITOR				C7001	QCSB1HJ-200Y	C CAPACITOR	20PF 5% 50V	
	C2557	QDGB1HK-102Y	C CAPACITOR				C7002	QCSB1HJ-220Y	C CAPACITOR	22PF 5% 50V	
	C2558	QDGB1HK-102Y	C CAPACITOR				C7003	QDGB1HK-102Y	C CAPACITOR		
	C2559	QDGB1HK-102Y	C CAPACITOR				C7004	EEKC1AM-107ZJC	E CAPACITOR		
	C2560	QCBB1HK-221Y	C.CAPACITOR	220PF 10% 50V			C7005	QDYB1CM-103Y	C.CAPACITOR		
	C2561	QDGB1HK-102Y	C CAPACITOR				C7006	QCSB1HJ-180Y	C CAPACITOR	18PF 5% 50V	
	C2700	QEKC1CM-106Z	E CAPACITOR	10MF 20% 16V			C7007	QCSB1HJ-180Y	C CAPACITOR	18PF 5% 50V	
	C2701	QEKC1CM-106Z	E CAPACITOR	10MF 20% 16V			C7008	EETB0JM-228JC	E CAPACITOR		
	C2705	QDXB1CM-222Y	C.CAPACITOR				C7009	EETC1HM-225ZJC	E.CAPACITOR		
	C2750	QEKC1CM-106Z	E CAPACITOR	10MF 20% 16V			C7010	EETC1HM-475ZJC	E.CAPACITOR		
	C2751	QEKC1CM-106Z	E CAPACITOR	10MF 20% 16V			C7011	EETC1CM-107ZJC	E CAPACITOR		
	C2755	QDXB1CM-222Y	C.CAPACITOR				C7012	QFLC1HJ-104Z	M CAPACITOR	.10MF 5% 50V	
	C2780	EEKC1HM-225ZJC	E CAPACITOR				C7041	QDYB1CM-103Y	C.CAPACITOR		
	C2781	EEKC1HM-475ZJC	E CAPACITOR				C7061	QCBB1HK-151Y	C CAPACITOR	150PF 10% 50V	
	C2782	EEKC1CM-226ZJC	E.CAPACITOR				C7063	QCBB1HK-151Y	C CAPACITOR	150PF 10% 50V	
	C2783	QEKC1HM-225Z	E CAPACITOR	2.2MF 20% 50V			C7106	QCBB1HK-101Y	C CAPACITOR	100PF 10% 50V	
	C2784	QDXB1CM-682Y	C.CAPACITOR				C7114	QCBB1HK-151Y	C CAPACITOR	150PF 10% 50V	
	C2785	EEKC1HM-105ZJC	E CAPACITOR				C7115	QCBB1HK-101Y	C CAPACITOR	100PF 10% 50V	
	C2786	QFVJ1HJ-334Z	M.CAPACITOR	.33MF 5% 50V			C7123	QDGB1HK-102Y	C CAPACITOR		
	C2787	QFVJ1HJ-683Z	MF CAPACITOR	.068MF 5% 50V			C7128	QDGB1HK-102Y	C CAPACITOR		
	C2800	QCS31HJ-470Z	C CAPACITOR	47PF 5% 50V			C7135	QCBB1HK-101Y	C CAPACITOR	100PF 10% 50V	
	C2801	QETN1AM-477Z	E CAPACITOR	470MF 20% 10V			C7136	QCBB1HK-101Y	C CAPACITOR	100PF 10% 50V	
	C2802	QDYB1CM-103Y	C.CAPACITOR				C7144	QDYB1CM-103Y	C.CAPACITOR		
	C2803	QDGB1HK-102Y	C CAPACITOR				C7152	QDGB1HK-102Y	C CAPACITOR		
	C3201	EETC1CM-107ZJC	E CAPACITOR				D2200	1SS133-T2	SI DIODE		
	C3202	QFLC1HJ-104Z	M CAPACITOR	.10MF 5% 50V			D2201	1SS133-T2	SI DIODE		
	C3203	EETC1CM-107ZJC	E CAPACITOR				D2202	DZ6.8BSB-T2	Z. DIODE		
	C3204	QFLC1HJ-104Z	M CAPACITOR	.10MF 5% 50V			D2203	1SS133-T2	SI DIODE		
	C3205	EETC1CM-107ZJC	E CAPACITOR				D2204	1N4003S-T5	SI DIODE		
	C3206	QFLC1HJ-104Z	M CAPACITOR	.10MF 5% 50V			D2205	1SS133-T2	SI DIODE		
	C3210	EETC0JM-477ZJC	C CAPACITOR				D2206	1SS133-T2	SI DIODE		
	C3222	QFVJ1HJ-334Z	M CAPACITOR	.33MF 5% 50V			D2208	DZ4.3BSB-T2	Z. DIODE		
	C3500	EETC1CM-106ZJC	E.CAPACITOR				D2210	DZ4.3BSB-T2	Z. DIODE		
	C3502	EETC1EM-476ZJC	E.CAPACITOR				D2212	1SS133-T2	SI DIODE	P3/P7	
	C5000	QDGB1HK-102Y	C CAPACITOR				D2213	1SS133-T2	SI DIODE	P3/P7	
	C5010	QDYB1CM-103Y	C.CAPACITOR				D2218	DZ4.3BSB-T2	Z. DIODE		
	C5011	QDYB1CM-103Y	C.CAPACITOR				D2222	1SS133-T2	SI DIODE		
	C5030	QCBB1HK-221Y	C CAPACITOR	220PF 10% 50V			D2223	1SS133-T2	SI DIODE		
	C5033	QCBB1HK-221Y	C CAPACITOR	220PF 10% 50V			D2780	DZ5.1BSB-T2	ZENER DIODE		
	C6001	EETC1CM-106ZJC	E.CAPACITOR				D2800	DZ6.8BSC-T2	Z. DIODE		
	C6002	EETC1HM-105ZJC	E.CAPACITOR				D2801	1SS133-T2	SI DIODE		
	C6003	QETC1HM-104Z	E CAPACITOR	.10MF 20% 50V			D2802	1SS133-T2	SI DIODE		
	C6004	EETC1HM-105ZJC	E.CAPACITOR				D3218	1SS133-T2	SI DIODE		
	C6005	NCS31HJ-390X	C.CAPACITOR				D3219	DZ8.2BSC-T2	Z.DIODE		
	C6006	EETC1CM-226ZJC	E.CAPACITOR				D3220	DZ11BSB-T2	Z.DIODE		
	C6007	EETC1CM-226ZJC	E.CAPACITOR				D3221	DZ11BSB-T2	Z.DIODE		
	C6008	EETC1CM-226ZJC	E.CAPACITOR				D6001	1SS133-T2	SI DIODE		
	C6009	NCS31HJ-101X	C.CAPACITOR				D6002	1SS133-T2	SI DIODE		
	C6010	QFVJ1HJ-104Z	MF CAPACITOR	.10MF 5% 50V			D6003	DZ5.1BSB-T2	ZENER DIODE		
	C6011	EETC1AM-107ZJC	E.CAPACITOR				D7001	1SS133-T2	SI DIODE	US5V	
	C6012	NCS31HJ-101X	C.CAPACITOR				D7002	1SS133-T2	SI DIODE		
	C6013	NCB31HK-333X	C CAPACITOR				D7003	1SS133-T2	SI DIODE	RESET	
	C6014	NCB31HK-472X	C CAPACITOR				D7004	1SS133-T2	SI DIODE	BACK UP	
	C6015	QFLC1HJ-103Z	M CAPACITOR	.010MF 5% 50V			D7005	1SS133-T2	SI DIODE	US5V	
	C6016	EETC1HM-475ZJC	E.CAPACITOR				D7006	1SS133-T2	SI DIODE		
	C6017	EETC1HM-225ZJC	E.CAPACITOR				D7007	DZ5.1BSC-T2	ZENER DIODE	BACK UP CONT.	
	C6018	EETC1HM-226ZJC	E.CAPACITOR				D7008	DZ8.2BSB-T2	ZENER DIODE		
	C6019	NCB31HK-333X	C CAPACITOR				D7011	1N4003S-T5	SI DIODE	CD+5V	
	C6020	NCB31HK-332X	C CAPACITOR				D7012	1SS133-T2	SI DIODE		
	C6021	QFVJ1HJ-474Z	MF CAPACITOR	.47MF 5% 50V			FW901	QUM158-11DGZ4	WIRE	SUBWOOFER	
	C6022	NCB31HK-103X	C CAPACITOR				FW902	QUM154-11DGZ4	WIRE	SUBWOOFER	
	C6023	EETC1HM-225ZJC	E.CAPACITOR				F3000	QMF51W2-1R25-J8	FUSE		
	C6024	EETC1HM-225ZJC	E.CAPACITOR				HS932	LV40057-H30B	HEAT SINK	HEAT SINK	

## ■ Electrical parts list (Main board)

Block No. 01

△	Item	Parts number	Parts name	Remarks	Area	△	Item	Parts number	Parts name	Remarks	Area
	IC611	BA15218F-XE	IC				Q2781	DTC114TKA-X	TRANSISTOR		
	IC612	BU9253FS-X	IC				Q3500	2SA1037AK/R/-X	TRANSISTOR		
	IC901	LC75345M-X	IC				Q3501	DTC144EKA-X	TRANSISTOR		
	IC902	BA15218F-XE	IC				Q6001	2SC2412K/R/-X	TRANSISTOR		
	IC903	BA15218F-XE	IC				Q6002	2SC2412K/R/-X	TRANSISTOR		
	IC904	BA15218F-XE	IC				Q6003	DTC144EKA-X	TRANSISTOR		
	IC905	LA4628	IC				Q7001	2SA1037AK/RS/-X	TRANSISTOR	SW5V	
	IC906	BA3837F-X	IC				Q7002	DTC114TKA-X	TRANSISTOR	RESET SW	
	IC910	L4909	REGULATOR IC				Q7003	2SC2412K/R/-X	TRANSISTOR	BACKUP CONT	
	IC931	UPD780056GC-037	IC	SYSTEM MICOM			Q7020	2SA952/LK-T	TRANSISTOR	CD+5V	
	IC932	KIA7806API	IC	US6V REG			Q7021	DTC114EKA-X	TRANSISTOR	CD+5V	
	J 900	QNN0215-001	PIN JACK	AUX IN			Q7031	2SC2412K/R/-X	TRANSISTOR	POUT SW	
	J 901	QNB0119-001	SPK TERMINAL				Q7041	2SC2412K/R/-X	TRANSISTOR	PHOTO BUFFER	
	J 902	GP1FA550TZ	OPT TRANSMITTER				Q7061	DTC114TKA-X	TRANSISTOR	TU	
	J 903	QNN0017-002	PIN JACK	VIDEO OUT			Q7062	DTC114TKA-X	TRANSISTOR	TU	
	J5000	QNS0170-001	JACK				Q7064	DTA114TKA-X	DIGITAL.TR	TU+5.6V	
	J6001	QNS0170-001	JACK				Q7065	DTC114TKA-X	TRANSISTOR	TU+5.6V	
	K2200	QQR0621-001Z	FERRITE BEADS				Q7091	DTC114EKA-X	TRANSISTOR	DIMMER	
	K2500	QQR0621-001Z	FERRITE BEADS				Q7092	2SA1037AK/RS/-X	TRANSISTOR	DIMMER	
	K2550	QQR0621-001Z	FERRITE BEADS				Q7401	DTC114EKA-X	TRANSISTOR	TAPE LED	
	K2551	QQR0621-001Z	FERRITE BEADS				Q7402	DTC114EKA-X	TRANSISTOR	TAPE LED	
	K2552	QQR0621-001Z	FERRITE BEADS				Q7403	DTC114EKA-X	TRANSISTOR	TAPE LED	
	K2800	QQR0621-001Z	FERRITE BEADS				R2000	QRE141J-303Y	C RESISTOR	30K 5% 1/4W	
	K2801	QQR0621-001Z	FERRITE BEADS				R2001	QRE141J-303Y	C RESISTOR	30K 5% 1/4W	
	K5022	QQR0621-001Z	FERRITE BEADS				R2006	QRE141J-222Y	C RESISTOR	2.2K 5% 1/4W	
	K6001	QQR0621-001Z	FERRITE BEADS				R2007	QRE141J-622Y	C RESISTOR	6.2K 5% 1/4W	
	K6002	QQR0621-001Z	FERRITE BEADS				R2008	QRE141J-912Y	C RESISTOR	9.1K 5% 1/4W	
	K6003	QQR0621-001Z	FERRITE BEADS				R2009	QRE141J-272Y	C RESISTOR	2.7K 5% 1/4W	
	K7001	QQR0621-001Z	FERRITE BEADS	AVSS			R2010	QRE141J-752Y	C RESISTOR	7.5K 5% 1/4W	
	K7002	QQR0621-001Z	FERRITE BEADS	VSS0			R2011	QRE141J-752Y	C RESISTOR	7.5K 5% 1/4W	
	K7003	QQR0621-001Z	FERRITE BEADS	LCD DG			R2012	QRE141J-222Y	C RESISTOR	2.2K 5% 1/4W	
	L2200	QQR0797-001	INDUCTOR	EMC			R2013	QRE141J-222Y	C RESISTOR	2.2K 5% 1/4W	
	L2201	QQR0797-001	INDUCTOR	EMC			R2014	QRE141J-472Y	C RESISTOR	4.7K 5% 1/4W	
	L2500	QQL231K-560Y	INDUCTOR				R2015	QRE141J-473Y	C RESISTOR	47K 5% 1/4W	
	L2501	QQL231K-560Y	INDUCTOR				R2016	QRE141J-622Y	C RESISTOR	6.2K 5% 1/4W	
	L2800	QQR0797-001	INDUCTOR	EMC			R2017	QRE141J-182Y	C RESISTOR	1.8K 5% 1/4W	
	L3500	QQL231K-4R7Y	INDUCTOR				R2018	QRE141J-223Y	C RESISTOR	22K 5% 1/4W	
	L5030	QQL231K-470Y	INDUCTOR				R2019	QRE141J-223Y	C RESISTOR	22K 5% 1/4W	
	L5033	QQL231K-470Y	INDUCTOR				R2022	QRE141J-224Y	C RESISTOR	220K 5% 1/4W	
	L7001	QQL231K-100Y	INDUCTOR	US5V			R2023	QRE141J-182Y	C RESISTOR	1.8K 5% 1/4W	
	L7002	QQL231K-470Y	INDUCTOR	AVDD & VDD			R2024	QRE141J-224Y	C RESISTOR	220K 5% 1/4W	
	L7003	QQL231K-4R7Y	INDUCTOR	AVREF			R2025	QRE141J-392Y	C RESISTOR	3.9K 5% 1/4W	
	L7020	QQL231K-100Y	INDUCTOR	CD+5V			R2026	QRE141J-682Y	C RESISTOR	6.8K 5% 1/4W	
	PP900	QZW0038-001	WIRE CLAMP				R2027	QRE141J-472Y	C RESISTOR	4.7K 5% 1/4W	
	Q2206	2SC2412K/R/-X	TRANSISTOR				R2028	QRE141J-2R2Y	C RESISTOR	2.2 5% 1/4W	
	Q2207	2SC2412K/R/-X	TRANSISTOR				R2029	QRE141J-2R2Y	C RESISTOR	2.2 5% 1/4W	
	Q2208	DTA143EKA-X	TRANSISTOR				R2030	QRE141J-223Y	C RESISTOR	22K 5% 1/4W	
	Q2209	2SC2412K/R/-X	TRANSISTOR				R2031	QRE141J-223Y	C RESISTOR	22K 5% 1/4W	
	Q2210	2SC2412K/R/-X	TRANSISTOR				R2032	QRE141J-222Y	C RESISTOR	2.2K 5% 1/4W	
	Q2211	2SC2001/LK/-T	TRANSISTOR				R2033	QRE141J-332Y	C RESISTOR	3.3K 5% 1/4W	
	Q2212	2SC2412K/R/-X	TRANSISTOR				R2034	QRE141J-472Y	C RESISTOR	4.7K 5% 1/4W	
	Q2213	2SC2412K/R/-X	TRANSISTOR				R2035	QRE141J-562Y	C RESISTOR	5.6K 5% 1/4W	
	Q2214	DTA143EKA-X	TRANSISTOR				R2036	QRE141J-332Y	C RESISTOR	3.3K 5% 1/4W	
	Q2215	2SC2412K/R/-X	TRANSISTOR				R2037	QRE141J-563Y	C RESISTOR	56K 5% 1/4W	
	Q2216	2SC2412K/R/-X	TRANSISTOR				R2038	QRE141J-220Y	C RESISTOR	22 5% 1/4W	
	Q2217	DTA114EKA-X	DIGITAL.TR				R2039	QRE141J-222Y	C RESISTOR	2.2K 5% 1/4W	
	Q2218	DTC114EKA-X	TRANSISTOR				R2040	QRE141J-182Y	C RESISTOR	1.8K 5% 1/4W	
	Q2219	2SC2412K/R/-X	TRANSISTOR				R2041	QRE141J-182Y	C RESISTOR	1.8K 5% 1/4W	
	Q2220	2SC2412K/R/-X	TRANSISTOR				R2042	QRE141J-473Y	C RESISTOR	47K 5% 1/4W	
	Q2221	DTC114EKA-X	TRANSISTOR				R2043	QRE141J-153Y	C RESISTOR	15K 5% 1/4W	
	Q2222	2SC2412K/R/-X	TRANSISTOR				R2044	QRE141J-272Y	C RESISTOR	2.7K 5% 1/4W	
	Q2224	2SC2412K/R/-X	TRANSISTOR				R2047	QRE141J-683Y	C RESISTOR	68K 5% 1/4W	
	Q2780	DTC114TKA-X	TRANSISTOR				R2048	QRE141J-222Y	C RESISTOR	2.2K 5% 1/4W	

## ■ Electrical parts list (Main board)

Block No. 01

△	Item	Parts number	Parts name	Remarks	Area	△	Item	Parts number	Parts name	Remarks	Area
	R2049	QRE141J-103Y	C RESISTOR	10K 5% 1/4W			R2231	QRE141J-222Y	C RESISTOR	2.2K 5% 1/4W	
	R2100	QRE141J-303Y	C RESISTOR	30K 5% 1/4W			R2232	QRE141J-153Y	C RESISTOR	15K 5% 1/4W	
	R2101	QRE141J-303Y	C RESISTOR	30K 5% 1/4W			R2233	QRE141J-473Y	C RESISTOR	47K 5% 1/4W	
	R2106	QRE141J-222Y	C RESISTOR	2.2K 5% 1/4W			R2700	QRE141J-303Y	C RESISTOR	30K 5% 1/4W	
	R2107	QRE141J-622Y	C RESISTOR	6.2K 5% 1/4W			R2701	QRE141J-752Y	C RESISTOR	7.5K 5% 1/4W	
	R2108	QRE141J-912Y	C RESISTOR	9.1K 5% 1/4W			R2702	QRE141J-104Y	C RESISTOR	100K 5% 1/4W	
	R2109	QRE141J-272Y	C RESISTOR	2.7K 5% 1/4W			R2705	QRE141J-102Y	C RESISTOR	1.0K 5% 1/4W	
	R2110	QRE141J-752Y	C RESISTOR	7.5K 5% 1/4W			R2750	QRE141J-303Y	C RESISTOR	30K 5% 1/4W	
	R2111	QRE141J-752Y	C RESISTOR	7.5K 5% 1/4W			R2751	QRE141J-752Y	C RESISTOR	7.5K 5% 1/4W	
	R2112	QRE141J-222Y	C RESISTOR	2.2K 5% 1/4W			R2752	QRE141J-104Y	C RESISTOR	100K 5% 1/4W	
	R2113	QRE141J-222Y	C RESISTOR	2.2K 5% 1/4W			R2755	QRE141J-102Y	C RESISTOR	1.0K 5% 1/4W	
	R2114	QRE141J-472Y	C RESISTOR	4.7K 5% 1/4W			R2781	QRE141J-102Y	C RESISTOR	1.0K 5% 1/4W	
	R2115	QRE141J-473Y	C RESISTOR	47K 5% 1/4W			R2782	QRE141J-221Y	C RESISTOR	220 5% 1/4W	
	R2116	QRE141J-622Y	C RESISTOR	6.2K 5% 1/4W			R2783	QRE141J-101Y	C RESISTOR	100 5% 1/4W	
	R2117	QRE141J-182Y	C RESISTOR	1.8K 5% 1/4W			R2800	QRE141J-104Y	C RESISTOR	100K 5% 1/4W	
	R2118	QRE141J-223Y	C RESISTOR	22K 5% 1/4W			R3200	QRE141J-102Y	C RESISTOR	1.0K 5% 1/4W	
	R2119	QRE141J-223Y	C RESISTOR	22K 5% 1/4W			R3201	QRE141J-822Y	C RESISTOR	8.2K 5% 1/4W	
	R2122	QRE141J-224Y	C RESISTOR	220K 5% 1/4W			R3202	QRE141J-122Y	C RESISTOR	1.2K 5% 1/4W	
	R2123	QRE141J-182Y	C RESISTOR	1.8K 5% 1/4W			R3203	QRE141J-392Y	C RESISTOR	3.9K 5% 1/4W	
	R2124	QRE141J-224Y	C RESISTOR	220K 5% 1/4W			R3204	QRE141J-122Y	C RESISTOR	1.2K 5% 1/4W	
	R2125	QRE141J-392Y	C RESISTOR	3.9K 5% 1/4W			R3205	QRE141J-822Y	C RESISTOR	8.2K 5% 1/4W	
	R2126	QRE141J-682Y	C RESISTOR	6.8K 5% 1/4W			R3206	QRE141J-122Y	C RESISTOR	1.2K 5% 1/4W	
	R2127	QRE141J-472Y	C RESISTOR	4.7K 5% 1/4W			R3210	QRE141J-102Y	C RESISTOR	1.0K 5% 1/4W	
	R2128	QRE141J-2R2Y	C RESISTOR	2.2 5% 1/4W			R3220	QRE141J-181Y	C RESISTOR	180 5% 1/4W	
	R2129	QRE141J-2R2Y	C RESISTOR	2.2 5% 1/4W			R3221	QRE141J-181Y	C RESISTOR	180 5% 1/4W	
	R2130	QRE141J-223Y	C RESISTOR	22K 5% 1/4W			R3500	QRE141J-103Y	C RESISTOR	10K 5% 1/4W	
	R2131	QRE141J-223Y	C RESISTOR	22K 5% 1/4W			R3504	QRE141J-104Y	C RESISTOR	100K 5% 1/4W	
	R2132	QRE141J-222Y	C RESISTOR	2.2K 5% 1/4W			R3505	QRE141J-102Y	C RESISTOR	1.0K 5% 1/4W	
	R2133	QRE141J-332Y	C RESISTOR	3.3K 5% 1/4W			R6001	NRSA63J-474X	MG RESISTOR		
	R2134	QRE141J-472Y	C RESISTOR	4.7K 5% 1/4W			R6002	NRSA63J-103X	MG RESISTOR		
	R2135	QRE141J-562Y	C RESISTOR	5.6K 5% 1/4W			R6003	NRSA63J-103X	MG RESISTOR		
	R2136	QRE141J-332Y	C RESISTOR	3.3K 5% 1/4W			R6004	NRSA63J-103X	MG RESISTOR		
	R2137	QRE141J-563Y	C RESISTOR	56K 5% 1/4W			R6005	NRSA63J-102X	MG RESISTOR		
	R2138	QRE141J-220Y	C RESISTOR	22 5% 1/4W			R6006	NRSA63J-103X	MG RESISTOR		
	R2139	QRE141J-222Y	C RESISTOR	2.2K 5% 1/4W			R6007	NRSA63J-471X	MG RESISTOR		
	R2140	QRE141J-182Y	C RESISTOR	1.8K 5% 1/4W			R6008	NRSA63J-102X	MG RESISTOR		
	R2141	QRE141J-182Y	C RESISTOR	1.8K 5% 1/4W			R6010	NRSA63J-564X	MG RESISTOR		
	R2142	QRE141J-473Y	C RESISTOR	47K 5% 1/4W			R6011	NRSA63J-392X	MG RESISTOR		
	R2143	QRE141J-153Y	C RESISTOR	15K 5% 1/4W			R6012	NRSA63J-103X	MG RESISTOR		
	R2144	QRE141J-272Y	C RESISTOR	2.7K 5% 1/4W			R6013	NRSA63J-102X	MG RESISTOR		
	R2147	QRE141J-683Y	C RESISTOR	68K 5% 1/4W			R6014	NRSA63J-154X	MG RESISTOR		
	R2148	QRE141J-222Y	C RESISTOR	2.2K 5% 1/4W			R6015	NRSA63J-154X	MG RESISTOR		
	R2149	QRE141J-103Y	C RESISTOR	10K 5% 1/4W			R6016	NRSA63J-221X	MG RESISTOR		
	R2200	QRE141J-273Y	C RESISTOR	27K 5% 1/4W			R6017	NRSA63J-153X	MG RESISTOR		
	R2206	QRE141J-513Y	C RESISTOR	51K 5% 1/4W			R6018	NRSA63J-103X	MG RESISTOR		
	R2207	QRE141J-513Y	C RESISTOR	51K 5% 1/4W			R6019	NRSA63J-221X	MG RESISTOR		
	R2208	QRE141J-124Y	C RESISTOR	120K 5% 1/4W			R6020	NRSA63J-152X	MG RESISTOR		
	R2209	QRE141J-154Y	C RESISTOR	150K 5% 1/4W			R6021	NRSA63J-203X	MG RESISTOR		
	R2211	QRE141J-101Y	C RESISTOR	100 5% 1/4W			R6022	NRSA63J-203X	MG RESISTOR		
	R2212	QRE141J-152Y	C RESISTOR	1.5K 5% 1/4W			R6023	NRSA63J-103X	MG RESISTOR		
	R2213	QRE141J-682Y	C RESISTOR	P3/P7			R6024	NRSA63J-822X	MG RESISTOR		
	R2214	QRE141J-682Y	C RESISTOR	P3/P7			R6025	NRSA63J-333X	MG RESISTOR		
	R2216	QRE141J-103Y	C RESISTOR	10K 5% 1/4W			R6026	NRSA63J-333X	MG RESISTOR		
	R2217	QRE141J-101Y	C RESISTOR	100 5% 1/4W			R6027	NRSA63J-204X	MG RESISTOR		
	R2218	QRE141J-471Y	C RESISTOR	470 5% 1/4W			R6028	NRSA63J-123X	MG RESISTOR		
	R2219	QRE141J-152Y	C RESISTOR	1.5K 5% 1/4W			R6029	NRSA63J-103X	MG RESISTOR		
	R2220	QRE141J-101Y	C RESISTOR	100 5% 1/4W			R6030	NRSA63J-472X	MG RESISTOR		
	R2221	QRE141J-101Y	C RESISTOR	100 5% 1/4W			R6031	NRSA63J-153X	MG RESISTOR		
	R2222	QRE141J-222Y	C RESISTOR	2.2K 5% 1/4W			R6032	NRSA63J-752X	MG RESISTOR		
	R2224	QRE141J-222Y	C RESISTOR	2.2K 5% 1/4W			R6033	NRSA63J-512X	MG RESISTOR		
	R2228	QRE141J-334Y	C RESISTOR	330K 5% 1/4W			R6034	NRSA63J-102X	MG RESISTOR		
	R2229	QRE141J-124Y	C RESISTOR	120K 5% 1/4W			△ R7000	QRZ9006-5R6X	F.RESISTOR	5.6 1/4W	
	R2230	QRE141J-102Y	C RESISTOR	1.0K 5% 1/4W			R7001	QRE141J-102Y	C RESISTOR	1.0K 5% 1/4W	

## ■ Electrical parts list (Main board)

Block No. 01

△	Item	Parts number	Parts name	Remarks	Area
	R7002	QRE141J-103Y	C RESISTOR	10K 5% 1/4W	
	R7003	QRE141J-331Y	C RESISTOR	330 5% 1/4W	
	R7004	QRE141J-103Y	C RESISTOR	10K 5% 1/4W	
	R7005	QRE141J-103Y	C RESISTOR	10K 5% 1/4W	
	R7006	QRE141J-104Y	C RESISTOR	100K 5% 1/4W	
	R7007	QRE141J-473Y	C RESISTOR	47K 5% 1/4W	
	R7008	QRE141J-333Y	C RESISTOR	33K 5% 1/4W	
	R7011	QRE141J-103Y	C RESISTOR	10K 5% 1/4W	
	R7012	QRE141J-511Y	C RESISTOR	510 5% 1/4W	
△	R7020	QRJ146J-100X	UNF.C RESISTOR	10 5% 1/4W	
	R7041	QRE141J-823Y	C RESISTOR	82K 5% 1/4W	
	R7042	QRE141J-394Y	C RESISTOR	390K 5% 1/4W	
	R7043	QRE141J-104Y	C RESISTOR	100K 5% 1/4W	
	R7062	QRE141J-102Y	C RESISTOR	1.0K 5% 1/4W	
	R7064	QRE141J-103Y	C RESISTOR	10K 5% 1/4W	
	R7065	QRE141J-563Y	C RESISTOR	56K 5% 1/4W	
	R7070	QRE141J-470Y	C RESISTOR	47 5% 1/4W	
	R7091	QRE141J-103Y	C RESISTOR	10K 5% 1/4W	
	R7092	QRE141J-473Y	C RESISTOR	47K 5% 1/4W	
	R7093	QRE141J-102Y	C RESISTOR	1.0K 5% 1/4W	
	R7101	QRE141J-222Y	C RESISTOR	2.2K 5% 1/4W	
	R7106	QRE141J-102Y	C RESISTOR	1.0K 5% 1/4W	
	R7107	QRE141J-102Y	C RESISTOR	1.0K 5% 1/4W	
	R7109	QRE141J-102Y	C RESISTOR	1.0K 5% 1/4W	
	R7113	QRE141J-103Y	C RESISTOR	10K 5% 1/4W	
	R7114	QRE141J-102Y	C RESISTOR	1.0K 5% 1/4W	
	R7115	QRE141J-102Y	C RESISTOR	1.0K 5% 1/4W	
	R7116	QRE141J-223Y	C RESISTOR	22K 5% 1/4W	
	R7117	QRE141J-102Y	C RESISTOR	1.0K 5% 1/4W	
	R7119	QRE141J-102Y	C RESISTOR	1.0K 5% 1/4W	
	R7120	QRE141J-222Y	C RESISTOR	2.2K 5% 1/4W	
	R7121	QRE141J-222Y	C RESISTOR	2.2K 5% 1/4W	
	R7123	QRE141J-222Y	C RESISTOR	2.2K 5% 1/4W	
	R7124	QRE141J-102Y	C RESISTOR	1.0K 5% 1/4W	
	R7125	QRE141J-222Y	C RESISTOR	2.2K 5% 1/4W	
	R7127	QRE141J-123Y	C RESISTOR	12K 5% 1/4W	
	R7128	QRE141J-222Y	C RESISTOR	2.2K 5% 1/4W	
	R7129	QRE141J-222Y	C RESISTOR	2.2K 5% 1/4W	
	R7130	QRE141J-222Y	C RESISTOR	2.2K 5% 1/4W	
	R7131	QRE141J-222Y	C RESISTOR	2.2K 5% 1/4W	
	R7132	QRE141J-222Y	C RESISTOR	2.2K 5% 1/4W	
	R7133	QRE141J-222Y	C RESISTOR	2.2K 5% 1/4W	
	R7134	QRE141J-222Y	C RESISTOR	2.2K 5% 1/4W	
	R7135	QRE141J-222Y	C RESISTOR	2.2K 5% 1/4W	
	R7136	QRE141J-222Y	C RESISTOR	2.2K 5% 1/4W	
	R7137	QRE141J-222Y	C RESISTOR	2.2K 5% 1/4W	
	R7138	QRE141J-222Y	C RESISTOR	2.2K 5% 1/4W	
	R7139	QRE141J-222Y	C RESISTOR	2.2K 5% 1/4W	
	R7140	QRE141J-222Y	C RESISTOR	2.2K 5% 1/4W	
	R7141	QRE141J-222Y	C RESISTOR	2.2K 5% 1/4W	
	R7142	QRE141J-102Y	C RESISTOR	1.0K 5% 1/4W	
	R7143	QRE141J-222Y	C RESISTOR	2.2K 5% 1/4W	
	R7144	QRE141J-222Y	C RESISTOR	2.2K 5% 1/4W	
	R7145	QRE141J-102Y	C RESISTOR	1.0K 5% 1/4W	
	R7146	QRE141J-222Y	C RESISTOR	2.2K 5% 1/4W	
	R7148	QRE141J-222Y	C RESISTOR	2.2K 5% 1/4W	
	R7149	QRE141J-103Y	C RESISTOR	10K 5% 1/4W	
	R7150	QRE141J-222Y	C RESISTOR	2.2K 5% 1/4W	
	R7151	QRE141J-222Y	C RESISTOR	2.2K 5% 1/4W	
	R7152	QRE141J-222Y	C RESISTOR	2.2K 5% 1/4W	
	R7153	QRE141J-222Y	C RESISTOR	2.2K 5% 1/4W	
	R7154	QRE141J-222Y	C RESISTOR	2.2K 5% 1/4W	
	R7155	QRE141J-222Y	C RESISTOR	2.2K 5% 1/4W	

△	Item	Parts number	Parts name	Remarks	Area
	R7156	QRE141J-103Y	C RESISTOR	10K 5% 1/4W	
	R7158	QRE141J-222Y	C RESISTOR	2.2K 5% 1/4W	
	R7159	QRE141J-222Y	C RESISTOR	2.2K 5% 1/4W	
	R7160	QRE141J-222Y	C RESISTOR	2.2K 5% 1/4W	
	R7162	QRE141J-103Y	C RESISTOR	10K 5% 1/4W	
	R7201	QRE141J-104Y	C RESISTOR	100K 5% 1/4W	
	R7214	QRE141J-473Y	C RESISTOR	47K 5% 1/4W	
	R7215	QRE141J-473Y	C RESISTOR	47K 5% 1/4W	
	R7221	QRE141J-103Y	C RESISTOR	10K 5% 1/4W	
	R7232	QRE141J-823Y	C RESISTOR	82K 5% 1/4W	
	R7236	QRE141J-103Y	C RESISTOR	10K 5% 1/4W	
	R7238	QRE141J-103Y	C RESISTOR	10K 5% 1/4W	
	R7239	QRE141J-103Y	C RESISTOR	10K 5% 1/4W	
	R7240	QRE141J-103Y	C RESISTOR	10K 5% 1/4W	
	R7252	QRE141J-103Y	C RESISTOR	10K 5% 1/4W	
	R7253	QRE141J-104Y	C RESISTOR	100K 5% 1/4W	
	R7254	QRE141J-103Y	C RESISTOR	10K 5% 1/4W	
	R7255	QRE141J-103Y	C RESISTOR	10K 5% 1/4W	
	VR601	QVQ0306-B24	V RESISTOR	MIC VOL ADJ	
	W5000	QUM158-10DGZ4	WIRE	HP TO FMC	
	X7001	QAX0410-001Z	CERA LOCK		
	X7002	QAX0401-001	CRYSTAL		
	Z3001	QNG0020-001Z	FUSE CLIP		
	Z3002	QNG0020-001Z	FUSE CLIP		

## ■ Electrical parts list (Front board)

Block No. 02

△	Item	Parts number	Parts name	Remarks	Area	△	Item	Parts number	Parts name	Remarks	Area
	CN932	QGF1205F1-17	CONNECTOR				C7352	QDYB1CM-103Y	C.CAPACITOR		
	CN934	QGF1205F1-04	CONNECTOR				C7353	QDYB1CM-103Y	C.CAPACITOR		
	CN941	QGB2510K2-04	CONNECTOR				C7354	QDYB1CM-103Y	C.CAPACITOR		
	CN943	QGB2510J1-04	CONNECTOR				D1934	QLD0160-001	LCD	LCD DISPLAY	
	CN944	QGD2504C1-04Z	SOCKET			△	D1000	6A10E2	SI DIODE		
	CN945	QGD2504C1-04Z	SOCKET			△	D1001	6A10E2	SI DIODE		
	CN946	QGD2504C1-04Z	SOCKET			△	D1002	6A10E2	SI DIODE		
	CN950	QGD2504C1-03Z	SOCKET			△	D1003	6A10E2	SI DIODE		
	CN951	QGD2504C1-03Z	SOCKET			△	D1004	1N5401-TM	DIODE		
	C1000	QFLC1HJ-104Z	M CAPACITOR	.10MF 5% 50V		△	D1005	1N5401-TM	DIODE		
	C1001	QFLC1HJ-104Z	M CAPACITOR	.10MF 5% 50V		△	D1006	1N5401-TM	DIODE		
	C1002	QFLC1HJ-104Z	M CAPACITOR	.10MF 5% 50V		△	D1007	1N5401-TM	DIODE		
	C1003	QFLC1HJ-104Z	M CAPACITOR	.10MF 5% 50V			D1012	1SS133-T2	SI DIODE		
	C1004	QFLC1HJ-104Z	M CAPACITOR	.10MF 5% 50V			D1013	DZ5.1BSB-T2	ZENER DIODE		
	C1005	QFLC1HJ-104Z	M CAPACITOR	.10MF 5% 50V			D4000	1SS133-T2	SI DIODE		
	C1006	QFLC1HJ-104Z	M CAPACITOR	.10MF 5% 50V			D4001	1SS133-T2	SI DIODE		
	C1007	QFLC1HJ-104Z	M CAPACITOR	.10MF 5% 50V			D4002	1SS133-T2	SI DIODE		
	C1012	EETC1HM-106ZJC	E.CAPACTOR				D4003	1SS133-T2	SI DIODE		
	C4000	QCBB1HK-101Y	C CAPACITOR	100PF 10% 50V			D4004	1SS133-T2	SI DIODE		
	C4001	QCBB1HK-101Y	C CAPACITOR	100PF 10% 50V			D4006	1SS133-T2	SI DIODE		
	C4002	QTE1V06-106Z	E CAPACITOR				D4007	1SS133-T2	SI DIODE		
	C4004	QETN1HM-226Z	E CAPACITOR	22MF 20% 50V			D4008	DZ24BSC-T2	DIODE		
	C4005	QETN1HM-226Z	E CAPACITOR	22MF 20% 50V			D4009	DZ5.1BSB-T2	ZENER DIODE		
	C4006	QCBB1HK-101Y	C CAPACITOR	100PF 10% 50V			D7321	QLMP-AB49	LED	BACK LIGHT	
	C4007	QCBB1HK-101Y	C CAPACITOR	100PF 10% 50V			D7322	QLMP-AB49	LED	BACK LIGHT	
	C4008	QETN1HM-476Z	E CAPACITOR	47MF 20% 50V			D7323	QLMP-AB49	LED	BACK LIGHT	
	C4009	QETN1HM-476Z	E CAPACITOR	47MF 20% 50V		△	D7331	SPR-39MVWF	LED	POW INDICATOR	
	C4010	QCSB1HJ-100Y	C CAPACITOR	10PF 5% 50V			D7332	1SS133-T2	SI DIODE		
	C4011	QCSB1HJ-100Y	C CAPACITOR	10PF 5% 50V			D7361	DZ10BSC-T2	Z.DIODE		
	C4012	QFLC1HJ-223Z	M CAPACITOR	.022MF 5% 50V			D7362	DZ10BSC-T2	Z.DIODE		
	C4013	QTE1V06-106Z	E CAPACITOR				D7363	DZ10BSC-T2	Z.DIODE		
	C4014	QFLC1HJ-104Z	M CAPACITOR	.10MF 5% 50V			D7401	SLR-342MC-T	LED	LED FR PLAY	
	C4015	QFLC1HJ-104Z	M CAPACITOR	.10MF 5% 50V			D7402	SLR-342VC-T	LED	LED REC	
	C4016	QFLC1HJ-104Z	M CAPACITOR	.10MF 5% 50V			D7403	SLR-342MC-T	LED	LED RV PLAY	
	C4017	QFLC1HJ-104Z	M CAPACITOR	.10MF 5% 50V			EP940	E409182-001SM	GRAND TERMINAL		
	C4018	QETN1HM-106Z	E CAPACITOR	10MF 20% 50V			FW931	QUM023-05Z4Z4	TM FLAT	FLAT WIRE	
	C4019	QETN1HM-106Z	E CAPACITOR	10MF 20% 50V			FW944	QUM156-11DGZ4	FLAT WIRE		
	C4020	QETM1HM-228	E CAPACITOR	2200MF 20% 50V		△	F1000	QMF51W2-2R0-J8	FUSE		
	C4021	QETM1HM-228	E CAPACITOR	2200MF 20% 50V		△	F1001	QMF51W2-5R0-J8	FUSE		
	C4022	QCB31HK-272Z	C CAPACITOR	2700PF 10% 50V		△	F1002	QMF51W2-1R0-J8	FUSE		
	C4023	QCB31HK-272Z	C CAPACITOR	2700PF 10% 50V		△	F1003	QMF51W2-4R0-J8	FUSE		
	C4024	QFLC1HJ-223Z	M CAPACITOR	.022MF 5% 50V		△	F1004	QMF51W2-4R0-J8	FUSE		
	C4025	QFLC1HJ-223Z	M CAPACITOR	.022MF 5% 50V			IC933	GP1U261X	IR DETECT UNIT	IR RX	
	C4026	QFLC1HJ-223Z	M CAPACITOR	.022MF 5% 50V			IC934	NJU6433FG1	IC	LCD DRIVER	
	C4027	QFLC1HJ-223Z	M CAPACITOR	.022MF 5% 50V			IC940	TDA7295	IC		
	C4028	EETC1EM-226ZJC	E.CAPACITOR				IC941	TDA7295	IC		
	C4029	QETN1CM-476Z	E CAPACITOR	47MF 20% 16V			JA940	QNB0118-001	SPK.TERMINAL		
	C4030	QETN1HM-226Z	E CAPACITOR	22MF 20% 50V			JS731	QSW0918-001	TACT SWITCH	VOLUME	
	C4031	QCF31HZ-223Z	C CAPACITOR	.022MF +80:-20%			JS732	QSW0918-001	TACT SWITCH	BASS	
	C4032	QETN1HM-105Z	E CAPACITOR	1.0MF 20% 50V		△	J1000	QGA7901C1-02	CONNECTOR		
	C4033	QFVJ1HJ-184Z	MF CAPACITOR	.18MF 5% 50V			L4000	QQLZ005-R45	INDUCTOR		
	C4036	EETC1HM-106ZJC	ECAPACITORM				L4001	QQLZ005-R45	INDUCTOR		
	C4037	QTE1V06-106Z	E CAPACITOR				L4002	QQR0797-001	INDUCTOR		
	C4038	QTE1V06-106Z	E CAPACITOR				L4003	QQR0797-001	INDUCTOR		
	C7301	QEKC1CM-476Z	E.CAPACITOR	47MF 20% 16V			Q1002	KTC3199/GL/-T	TRANSISTOR		
	C7302	QDGB1HK-102Y	C CAPACITOR				Q4000	2SC3576-JVC-T	TRANSISTOR		
	C7303	QDYB1CM-103Y	C.CAPACITOR				Q4001	2SC3576-JVC-T	TRANSISTOR		
	C7304	QDYB1CM-103Y	C.CAPACITOR				Q4002	KRA102M-T	DIGITAL.TR		
	C7305	QDYB1CM-103Y	C.CAPACITOR				Q4003	KTC3199/GL/-T	TRANSISTOR		
	C7306	QDYB1CM-103Y	C.CAPACITOR				Q4004	KTA1267/YG/-T	TRANSISTOR		
	C7307	QDYB1CM-103Y	C.CAPACITOR				Q4005	KTC3199/GL/-T	TRANSISTOR		
	C7341	QEKC1AM-107Z	E.CAPACITOR	100MF 20% 10V			Q4006	KTC3199/GL/-T	TRANSISTOR		
	C7351	QDYB1CM-103Y	C.CAPACITOR				Q7331	KRC111M-T	TR		

## ■ Electrical parts list (Front board)

Block No. 02

△	Item	Parts number	Parts name	Remarks	Area
	RY941	QSK0109-001	RELAY		
	R1003	QRE141J-103Y	C RESISTOR	10K 5% 1/4W	
	R1004	QRE141J-472Y	C RESISTOR	4.7K 5% 1/4W	
	R1005	QRE141J-472Y	C RESISTOR	4.7K 5% 1/4W	
	R4000	QRE141J-102Y	C RESISTOR	1.0K 5% 1/4W	
	R4001	QRE141J-102Y	C RESISTOR	1.0K 5% 1/4W	
	R4002	QRE141J-472Y	C RESISTOR	4.7K 5% 1/4W	
	R4003	QRE141J-472Y	C RESISTOR	4.7K 5% 1/4W	
	R4004	QRE141J-432Y	C RESISTOR	4.3K 5% 1/4W	
	R4005	QRE141J-432Y	C RESISTOR	4.3K 5% 1/4W	
	R4006	QRE141J-104Y	C RESISTOR	100K 5% 1/4W	
	R4007	QRE141J-104Y	C RESISTOR	100K 5% 1/4W	
△	R4008	QRJ146J-821X	UNF.C.RESISTOR	820 5% 1/4W	
△	R4009	QRJ146J-821X	UNF.C.RESISTOR	820 5% 1/4W	
	R4010	QRE141J-823Y	C RESISTOR	82K 5% 1/4W	
	R4011	QRE141J-823Y	C RESISTOR	82K 5% 1/4W	
	R4012	QRE141J-122Y	C RESISTOR	1.2K 5% 1/4W	
	R4013	QRE141J-122Y	C RESISTOR	1.2K 5% 1/4W	
	R4014	QRJ146J-100X	UNF.C.RESISTOR	10 5% 1/4W	
	R4015	QRJ146J-100X	UNF.C.RESISTOR	10 5% 1/4W	
	R4016	QRJ146J-100X	UNF.C.RESISTOR	10 5% 1/4W	
	R4017	QRJ146J-100X	UNF.C.RESISTOR	10 5% 1/4W	
	R4018	QRT01DJ-R22X	UNF.MF.RESISTOR	5% 1/1W	
	R4019	QRT01DJ-R22X	UNF.MF.RESISTOR	5% 1/1W	
	R4020	QRE141J-563Y	C RESISTOR	56K 5% 1/4W	
	R4021	QRE141J-563Y	C RESISTOR	56K 5% 1/4W	
	R4022	QRE141J-103Y	C RESISTOR	10K 5% 1/4W	
	R4023	QRE141J-472Y	C RESISTOR	4.7K 5% 1/4W	
	R4024	QRE141J-4R7Y	C RESISTOR	4.7 5% 1/4W	
	R4025	QRE141J-4R7Y	C RESISTOR	4.7 5% 1/4W	
	R4026	QRE141J-103Y	C RESISTOR	10K 5% 1/4W	
	R4027	QRE141J-103Y	C RESISTOR	10K 5% 1/4W	
	R4028	QRE141J-301Y	C RESISTOR	300 5% 1/4W	
	R4029	QRE141J-823Y	C RESISTOR	82K 5% 1/4W	
	R4030	QRE141J-104Y	C RESISTOR	100K 5% 1/4W	
	R4031	QRE141J-103Y	C RESISTOR	10K 5% 1/4W	
	R4032	QRE141J-104Y	C RESISTOR	100K 5% 1/4W	
	R4033	QRE141J-124Y	C RESISTOR	120K 5% 1/4W	
	R4034	QRE141J-122Y	C RESISTOR	1.2K 5% 1/4W	
	R4035	QRE141J-103Y	C RESISTOR	10K 5% 1/4W	
	R4036	QRE141J-104Y	C RESISTOR	100K 5% 1/4W	
△	R4037	QRZ9006-4R7X	F RESISTOR	4.7 1/0W	
	R4038	QRE141J-302Y	C RESISTOR	3.0K 5% 1/4W	
	R4040	QRE141J-330Y	C RESISTOR	33 5% 1/4W	
	R4041	QRL01DJ-471X	OMF RESISTOR	470 5% 1/1W	
	R4042	QRE141J-103Y	C RESISTOR	10K 5% 1/4W	
	R4043	QRE141J-103Y	C RESISTOR	10K 5% 1/4W	
	R4044	QRE141J-152Y	C RESISTOR	1.5K 5% 1/4W	
	R4045	QRE141J-203Y	C RESISTOR	20K 5% 1/4W	
	R7301	QRE141J-102Y	C RESISTOR	1.0K 5% 1/4W	
	R7302	QRE141J-102Y	C RESISTOR	1.0K 5% 1/4W	
	R7303	QRE141J-122Y	C RESISTOR	1.2K 5% 1/4W	
	R7304	QRE141J-152Y	C RESISTOR	1.5K 5% 1/4W	
	R7305	QRE141J-222Y	C RESISTOR	2.2K 5% 1/4W	
	R7306	QRE141J-272Y	C RESISTOR	2.7K 5% 1/4W	
	R7307	QRE141J-392Y	C RESISTOR	3.9K 5% 1/4W	
	R7308	QRE141J-562Y	C RESISTOR	5.6K 5% 1/4W	
	R7309	QRE141J-103Y	C RESISTOR	10K 5% 1/4W	
	R7310	QRE141J-183Y	C RESISTOR	18K 5% 1/4W	
	R7311	QRE141J-102Y	C RESISTOR	1.0K 5% 1/4W	
	R7312	QRE141J-102Y	C RESISTOR	1.0K 5% 1/4W	
	R7313	QRE141J-122Y	C RESISTOR	1.2K 5% 1/4W	
	R7315	QRE141J-473Y	C RESISTOR	EXCEPT A VER	

△	Item	Parts number	Parts name	Remarks	Area
	R7316	QRE141J-433Y	C RESISTOR	43K 5% 1/4W	
	R7321	QRE141J-301Y	C RESISTOR	300 5% 1/4W	
	R7322	QRE141J-301Y	C RESISTOR	300 5% 1/4W	
	R7323	QRE141J-301Y	C RESISTOR	300 5% 1/4W	
	R7331	QRE141J-161Y	C RESISTOR	160 5% 1/4W	
	R7332	QRE141J-470Y	C RESISTOR	47 5% 1/4W	
	R7341	QRE141J-103Y	C RESISTOR	10K 5% 1/4W	
	R7342	QRE141J-134Y	C RESISTOR	130K 5% 1/4W	
	R7401	QRE141J-201Y	C RESISTOR	200 5% 1/4W	
	R7402	QRE141J-201Y	C RESISTOR	200 5% 1/4W	
	R7403	QRE141J-201Y	C RESISTOR	200 5% 1/4W	
△	S1000	QSW0812-001	VOLTAGE SWITCH	U SERIES	
	S7301	QSW0825-001Z	TACT SWITCH	RETURN	
	S7302	QSW0825-001Z	TACT SWITCH	CLOCK	
	S7303	QSW0825-001Z	TACT SWITCH	TIMER	
	S7304	QSW0825-001Z	TACT SWITCH	REVERSE	
	S7305	QSW0825-001Z	TACT SWITCH	CD REC	
	S7306	QSW0825-001Z	TACT SWITCH	AUX	
	S7307	QSW0825-001Z	TACT SWITCH	TUNER	
	S7308	QSW0825-001Z	TACT SWITCH	TAPE	
	S7309	QSW0825-001Z	TACT SWITCH	CD	
	S7310	QSW0825-001Z	TACT SWITCH	DOWN	
	S7311	QSW0825-001Z	TACT SWITCH	STOP	
	S7312	QSW0825-001Z	TACT SWITCH	OPEN/CLOSE	
	S7313	QSW0825-001Z	TACT SWITCH	SOUND	
	S7315	QSW0825-001Z	TACT SWITCH	POWER	
	S7316	QSW0825-001Z	TACT SWITCH	UP	
	Z1000	QNG0020-001Z	FUSE CLIP		
	Z1001	QNG0020-001Z	FUSE CLIP		
	Z1002	QNG0020-001Z	FUSE CLIP		
	Z1003	QNG0020-001Z	FUSE CLIP		
	Z1004	QNG0020-001Z	FUSE CLIP		
	Z1005	QNG0020-001Z	FUSE CLIP		
	Z1006	QNG0020-001Z	FUSE CLIP		
	Z1007	QNG0020-001Z	FUSE CLIP		
	Z1008	QNG0020-001Z	FUSE CLIP		
	Z1009	QNG0020-001Z	FUSE CLIP		



## ■ Electrical parts list (CD servo board)

Block No. 03

△	Item	Parts number	Parts name	Remarks	Area	△	Item	Parts number	Parts name	Remarks	Area
	C 601	NCB31HK-222X	C CAPACITOR				CN801	QGA2001C1-06	6P PLUG ASSY		
	C 602	NCB31HK-222X	C CAPACITOR				D 601	1SS355-X	DIODE		
	C 603	NCB31HK-223X	C CAPACITOR				D 602	1SS355-X	DIODE		
	C 604	NCB31HK-223X	C CAPACITOR				D 831	MTZJ5.6B-T2	ZENER DIODE		
△	C 605	NCS31HJ-471X	C CAPACITOR				IC601	AN22000A-W	IC		
	C 606	NCS31HJ-820X	C CAPACITOR				IC651	MN662748RPMFA	IC		
	C 610	NCB31CK-273X	C CAPACITOR				IC801	LA6541-X	IC		
	C 612	QERF1HM-105Z	E CAPACITOR	1.0MF 20% 50V			IC802	LB1641	IC		
	C 613	NCB31AK-224X	C CAPACITOR				IC851	MN101C30AEF	IC		
	C 614	NCB31CK-273X	C CAPACITOR				L 831	QLL244K-100Z	INDUCTOR		
	C 615	NCB31HK-472X	C CAPACITOR				Q 631	2SA1037AK/RS/-X	TRANSISTOR		
	C 616	NCB31HK-103X	C CAPACITOR				Q 851	2SA952/LK/-T	TRANSISTOR		
	C 617	NCS31HJ-331X	C CAPACITOR			△	R 601	NRSA63J-474X	MG RESISTOR		
	C 619	NCS31HJ-330X	C CAPACITOR				R 602	NRSA63J-684X	MG RESISTOR		
	C 621	NCF31AZ-105X	C CAPACITOR				R 603	NRSA63J-393X	MG RESISTOR		
△	C 622	NCB31CK-473X	C CAPACITOR				R 604	NRSA63J-184X	MG RESISTOR		
	C 623	NCF31AZ-105X	C CAPACITOR				R 605	NRSA63J-472X	MG RESISTOR		
	C 624	QERF0JM-107Z	E CAPACITOR	100MF 20% 6.3V			R 606	NRSA63J-472X	MG RESISTOR		
	C 631	QERF1CM-106Z	E CAPACITOR	10MF 20% 16V			R 607	NRSA63J-623X	MG RESISTOR		
	C 632	NCF31AZ-105X	C CAPACITOR				R 610	NRSA63J-223X	MG RESISTOR		
	C 633	NCB31HK-223X	C CAPACITOR				R 611	NRSA63J-223X	MG RESISTOR		
	C 641	NCB31HK-223X	C CAPACITOR				R 612	NRSA63J-822X	MG RESISTOR		
	C 642	NCB31HK-222X	C CAPACITOR				R 613	NRSA63J-472X	MG RESISTOR		
	C 643	NCB31HK-152X	C CAPACITOR				R 615	NRSA63J-472X	MG RESISTOR		
	C 651	NCS31HJ-120X	C.CAPACITOR				R 616	NRSA63J-472X	MG RESISTOR		
	C 652	NCS31HJ-120X	C.CAPACITOR				R 617	NRSA63J-472X	MG RESISTOR		
	C 653	NCB31CK-104X	C CAPACITOR				R 631	NRSA63J-2R2X	MG RESISTOR		
	C 655	NCB31CK-104X	C CAPACITOR				R 632	NRSA63J-100X	MG RESISTOR		
	C 656	NCB31CK-104X	C CAPACITOR				R 634	NRSA63J-120X	MG RESISTOR		
	C 657	QERF1AM-227Z	E CAPACITOR	220MF 20% 10V			R 635	NRSA63J-121X	MG RESISTOR		
	C 661	NCS31HJ-471X	C CAPACITOR				R 636	NRSA63J-910X	MG RESISTOR		
	C 663	NCB31HK-223X	C CAPACITOR				R 641	NRSA63J-154X	MG RESISTOR		
	C 664	NCB31HK-223X	C CAPACITOR				R 642	NRSA63J-394X	MG RESISTOR		
	C 665	NCB31AK-154X	C CAPACITOR				R 643	NRSA63J-153X	MG RESISTOR		
	C 669	QERF1AM-227Z	E CAPACITOR	220MF 20% 10V			R 647	NRSA63J-0R0X	MG RESISTOR		
	C 673	QERF1AM-227Z	E CAPACITOR	220MF 20% 10V			R 651	NRSA63J-102X	MG RESISTOR		
	C 676	NCB31CK-104X	C CAPACITOR				R 652	NRSA63J-102X	MG RESISTOR		
	C 677	NCB31CK-104X	C CAPACITOR				R 653	NRSA63J-102X	MG RESISTOR		
	C 679	QERF0JM-107Z	E CAPACITOR	100MF 20% 6.3V			R 654	NRSA63J-101X	MG RESISTOR		
	C 680	NCB31CK-104X	C CAPACITOR				R 655	NRSA63J-510X	MG RESISTOR		
	C 681	NCB31AK-334X	C.CAPACITOR				R 656	NRSA63J-102X	MG RESISTOR		
	C 682	NCB31HK-102X	C CAPACITOR				R 657	NRSA63J-0R0X	MG RESISTOR		
	C 683	NCB31HK-102X	C CAPACITOR				R 658	NRSA63J-0R0X	MG RESISTOR		
	C 801	NCB31HK-682X	C CAPACITOR				R 659	NRSA63J-0R0X	MG RESISTOR		
	C 802	NCB31HK-472X	C CAPACITOR				R 661	NRSA63J-393X	MG RESISTOR		
	C 811	NCS31HJ-391X	C CAPACITOR				R 662	NRSA63J-683X	MG RESISTOR		
	C 812	NCS31HJ-391X	C CAPACITOR				R 663	NRSA63J-124X	MG RESISTOR		
	C 813	NCS31HJ-391X	C CAPACITOR				R 664	NRSA63J-331X	MG RESISTOR		
	C 814	NCS31HJ-391X	C CAPACITOR				R 665	NRSA63J-271X	MG RESISTOR		
	C 821	NCF31AZ-105X	C CAPACITOR				R 666	NRSA63J-221X	MG RESISTOR		
	C 822	QERF1AM-227Z	E CAPACITOR	220MF 20% 10V			R 667	NRSA63J-4R7X	MG RESISTOR		
	C 831	EEKJ1CM-107ZJC	E CAPACITOR				R 670	NRSA63J-101X	MG RESISTOR		
	C 832	NCB31HK-103X	C CAPACITOR				R 681	NRSA63J-272X	MG RESISTOR		
	C 833	NCB31CK-104X	C CAPACITOR				R 682	NRSA63J-102X	MG RESISTOR		
	C 851	NCS31HJ-330X	C CAPACITOR				R 683	NRSA63J-105X	MG RESISTOR		
	C 852	NCS31HJ-330X	C CAPACITOR				R 684	NRSA63J-155X	MG RESISTOR		
	C 853	NCB31CK-104X	C CAPACITOR				R 801	NRSA63J-272X	MG RESISTOR		
	C 854	QERF1CM-476Z	E CAPACITOR	47MF 20% 16V			R 802	NRSA63J-472X	MG RESISTOR		
	C 855	QERF1CM-476Z	E CAPACITOR	47MF 20% 16V			R 803	NRSA63J-472X	MG RESISTOR		
	CN601	QGF1016F3-16	16FFC CONNECTOR				R 804	NRSA63J-683X	MG RESISTOR		
	CN606	QGF1205F1-05	CONNECTOR				R 805	NRSA63J-912X	MG RESISTOR		
	CN651	QGF1016F3-15	15FFC CONNECTOR				R 806	NRSA63J-433X	MG RESISTOR		
	CN652	QGF1016F3-19	CONNECTOR				R 807	NRSA63J-272X	MG RESISTOR		

## ■ Electrical parts list (CD servo board)

Block No. 03

△	Item	Parts number	Parts name	Remarks	Area
	R 808	NRSA63J-433X	MG RESISTOR		
	R 809	NRSA63J-122X	MG RESISTOR		
	R 822	NRSA63J-473X	MG RESISTOR		
	R 831	QRE141J-100Y	C RESISTOR	10 5% 1/4W	
	R 851	NRSA63J-103X	MG RESISTOR		
	R 852	NRSA63J-122X	MG RESISTOR		
	R 853	NRSA63J-102X	MG RESISTOR		
	R 854	NRSA63J-101X	MG RESISTOR		
	R 855	NRSA63J-101X	MG RESISTOR		
	R 856	NRSA63J-101X	MG RESISTOR		
	R 858	NRSA63J-101X	MG RESISTOR		
	R 859	NRSA63J-101X	MG RESISTOR		
	R 860	NRSA63J-101X	MG RESISTOR		
	R 861	NRSA63J-102X	MG RESISTOR		
	R 862	NRSA63J-103X	MG RESISTOR		
	R 863	NRSA63J-222X	MG RESISTOR		
	R 864	NRSA63J-102X	MG RESISTOR		
	R 865	NRSA63J-102X	MG RESISTOR		
	R 866	NRSA63J-102X	MG RESISTOR		
	R 867	NRSA63J-102X	MG RESISTOR		
	R 868	NRSA63J-102X	MG RESISTOR		
	R 869	NRSA63J-102X	MG RESISTOR		
	R 870	NRSA63J-102X	MG RESISTOR		
	R 871	NRSA63J-102X	MG RESISTOR		
	R 872	NRSA63J-102X	MG RESISTOR		
	R 873	NRSA63J-103X	MG RESISTOR		
	R 874	NRSA63J-101X	MG RESISTOR		
	R 875	NRSA63J-101X	MG RESISTOR		
	R 876	NRSA63J-101X	MG RESISTOR		
	R 881	NRSA63J-102X	MG RESISTOR		
	R 882	NRSA63J-102X	MG RESISTOR		
	R 883	NRSA63J-102X	MG RESISTOR		
	R 884	NRSA63J-103X	MG RESISTOR		
	R 885	NRSA63J-102X	MG RESISTOR		
	W 605	QJP001-031601	SHI CR C-B WIRE		
	X 651	QAX0413-001Z	CRYSTAL		
	X 851	QAX0283-001Z	RESONATOR		

■ Electrical parts list (Tuner board)

Block No. 04

△	Item	Parts number	Parts name	Remarks	Area
	C 1	NCB21HK-223X	C CAPACITOR		
	C 2	NCB21HK-103X	C CAPACITOR		
	C 3	EETC1CM-106ZJC	E CAPACITOR		
	C 4	NCB21HK-103X	C CAPACITOR		
	C 6	NCB21HK-102X	C CAPACITOR		
	C 7	NCB21HK-102X	C CAPACITOR		
	C 8	NCB21HK-102X	C CAPACITOR		
	C 10	NRSA02J-0R0X	MG RESISTOR		
	C 11	NCB21HK-104X	C CAPACITOR		
	C 12	NCB21HK-473X	C CAPACITOR		
	C 13	NCS21HJ-120X	C CAPACITOR		
	C 14	EEKC1AM-107ZJC	E CAPACITOR		
	C 15	NCS21HJ-120X	C CAPACITOR		
	C 16	NCS21HJ-120X	C CAPACITOR		
	C 17	NCB21HK-392X	C CAPACITOR		
	C 18	QEQ61HM-474Z	N.P.E.CAPACITOR	.47MF 20% 50V	
	C 19	NCB21HK-473X	C CAPACITOR		
	C 20	NCB21HK-102X	C CAPACITOR		
	C 21	NCB21HK-223X	C CAPACITOR		
	C 22	NCS21HJ-151X	C CAPACITOR		
	C 23	NCS21HJ-151X	C CAPACITOR		
	C 24	NCS21HJ-151X	C CAPACITOR		
	C 25	EEKC1AM-107ZJC	E CAPACITOR		
	C 26	NCB21HK-102X	C CAPACITOR		
	C 27	NCB21HK-102X	C CAPACITOR		
	C 30	EEKC1CM-107ZJC	E CAPACITOR		
	C 31	EEKC1CM-226ZJC	E CAPACITOR		
	C 32	NCB21HK-473X	C CAPACITOR		
	C 33	NCB21HK-473X	C CAPACITOR		
	C 34	NCB21HK-223X	C CAPACITOR		
	C 35	NCB21HK-473X	C CAPACITOR		
	C 36	EEKC1HM-105ZJC	E CAPACITOR		
	C 37	EEKC1HM-105ZJC	E CAPACITOR		
	C 38	EETC1HM-224ZJC	E CAPACITOR		
	C 39	EETC1HM-105ZJC	E CAPACITOR		
	C 40	QETN1CM-106Z	E CAPACITOR	10MF 20% 16V	
	C 41	QETN1CM-106Z	E CAPACITOR	10MF 20% 16V	
	C 42	NCB21HK-152X	C CAPACITOR		
	C 43	NCB21HK-152X	C CAPACITOR		
	C 44	QETN1CM-106Z	E CAPACITOR	10MF 20% 16V	
	C 45	QETN1CM-106Z	E CAPACITOR	10MF 20% 16V	
	C 46	NCB21HK-273X	C CAPACITOR		
	C 47	EETC1HM-105ZJC	E CAPACITOR		
	C 48	NCB21HK-222X	C CAPACITOR		
	C 49	NCS21HJ-471X	C CAPACITOR		
	C 50	EEKC1CM-226ZJC	E CAPACITOR		
	C 51	EEKC1HM-105ZJC	E CAPACITOR		
	C 52	QFVJ1HJ-274Z	MF CAPACITOR	.27MF 5% 50V	
	C 53	EETC1CM-226ZJC	E CAPACITOR		
	C 54	NCB21HK-473X	C CAPACITOR		
	C 57	NCB21HK-102X	C CAPACITOR		
	C 58	NCB21HK-473X	C CAPACITOR		
	C 59	NCB21HK-102X	C CAPACITOR		
	CF 1	QAX0677-001Z	C FILTER		
	CF 2	QAX0677-001Z	C FILTER		
	CF 3	QAX0610-001Z	C DISCRIMINATOR		
	CN 1	QGF1205F1-09	CONNECTOR		
	D 1	1SS133-T2	SI DIODE		
	D 2	1SS133-T2	SI DIODE		
	D 3	1SS133-T2	SI DIODE		
	D 4	1SS133-T2	SI DIODE		
	D 11	1SS133-T2	SI DIODE		
	IC 1	LA1838	IC		

△	Item	Parts number	Parts name	Remarks	Area
	IC 2	LC72136N	IC		
	J 1	QNB0014-001	ANT TERMINAL		
	L 1	QQR0796-002	COIL BLOCK		
	Q 1	2SC2814/4-5/-X	TRANSISTOR		
	Q 5	DTA114YKA-X	TRANSISTOR		
	R 1	QRE141J-560Y	C RESISTOR	56 5% 1/4W	
	R 2	NRSA02J-331X	MG RESISTOR		
	R 3	NRSA02J-224X	MG RESISTOR		
	R 4	NRSA02J-331X	MG RESISTOR		
	R 5	NRSA02J-560X	MG RESISTOR		
	R 6	NRSA02J-240X	MG RESISTOR		
	R 10	NRSA02J-222X	MG RESISTOR		
	R 13	NRSA02J-103X	MG RESISTOR		
	R 14	NRSA02J-104X	MG RESISTOR		
	R 15	NRSA02J-332X	MG RESISTOR		
	R 16	NRSA02J-472X	MG RESISTOR		
△	R 17	QRZ9005-680X	F.RESISTOR	68 1/4W	
	R 18	NRSA02J-102X	MG RESISTOR		
	R 19	NRSA02J-102X	MG RESISTOR		
	R 20	NRSA02J-102X	MG RESISTOR		
	R 21	NRSA02J-562X	MG RESISTOR		
	R 22	NRSA02J-472X	MG RESISTOR		
	R 23	NRSA02J-182X	MG RESISTOR		
	R 24	NRSA02J-103X	MG RESISTOR		
	R 25	NRSA02J-331X	MG RESISTOR		
	R 26	NRSA02J-222X	MG RESISTOR		
	R 27	NRSA02J-103X	MG RESISTOR		
	R 28	NRSA02J-103X	MG RESISTOR		
	R 29	NRSA02J-103X	MG RESISTOR		
	R 30	NRSA02J-122X	MG RESISTOR		
	R 31	NRSA02J-102X	MG RESISTOR		
	R 32	NRSA02J-102X	MG RESISTOR		
	R 33	NRSA02J-331X	MG RESISTOR		
	R 34	NRSA02J-470X	MG RESISTOR		
	R 35	NRSA02J-562X	MG RESISTOR		
	R 36	NRSA02J-332X	MG RESISTOR		
	R 37	NRSA02J-103X	MG RESISTOR		
	R 38	NRSA02J-563X	MG RESISTOR		
	R 39	NRSA02J-563X	MG RESISTOR		
	R 40	NRSA02J-243X	MG RESISTOR		
	R 41	NRSA02J-332X	MG RESISTOR		
	R 60	NRSA02J-0R0X	MG RESISTOR		
	T 1	QQR0793-001	IFT		
	TU 1	QAU0161-001	FRONT END		
	X 1	QAX0402-001	CRYSTAL		

## ■ Electrical parts list (VCD board)

Block No. 05

△	Item	Parts number	Parts name	Remarks	Area
	C 101	NCF31CZ-104X	C CAPACITOR		
	C 102	NCF31CZ-104X	C CAPACITOR		
	C 103	NCF31CZ-104X	C CAPACITOR		
	C 104	QERF1CM-106Z	E CAPACITOR	10MF 20% 16V	
	C 105	NCF31CZ-104X	C CAPACITOR		
	C 106	QERF1CM-106Z	E CAPACITOR	10MF 20% 16V	
	C 107	NCF31CZ-104X	C CAPACITOR		
	C 109	NCF31CZ-104X	C CAPACITOR		
	C 110	NCF31CZ-104X	C CAPACITOR		
	C 111	NCS31HJ-471X	C CAPACITOR	CHANGE PART	
	C 112	NCS31HJ-471X	C CAPACITOR	CHANGE PART	
	C 113	NCS31HJ-270X	C CAPACITOR		
	C 114	NCB31HK-102X	C CAPACITOR		
	C 115	NCS31HJ-270X	C CAPACITOR		
	C 116	NCF31CZ-104X	C CAPACITOR		
	C 117	QERF0JM-476Z	E CAPACITOR	47MF 20% 6.3V	
	C 118	NCF31CZ-104X	C CAPACITOR		
	C 120	NCF31CZ-104X	C CAPACITOR		
	C 121	NCF31CZ-104X	C CAPACITOR		
	C 122	QERF1AM-107Z	E CAPACITOR	100MF 20% 10V	
	C 123	QERF0JM-476Z	E CAPACITOR	47MF 20% 6.3V	
	C 124	NCF31CZ-104X	C CAPACITOR		
	C 125	NCF31CZ-104X	C CAPACITOR		
	C 126	NCF31CZ-104X	C CAPACITOR		
	C 127	NCF31CZ-104X	C CAPACITOR		
	C 128	NCF31CZ-104X	C CAPACITOR		
	C 129	NCF31CZ-104X	C CAPACITOR		
	C 130	QERF1AM-107Z	E CAPACITOR	100MF 20% 10V	
	C 131	NCF31CZ-104X	C CAPACITOR		
	C 132	QERF1AM-107Z	E CAPACITOR	100MF 20% 10V	
	C 133	NCF31CZ-104X	C CAPACITOR		
	C 134	QERF1CM-106Z	E CAPACITOR	10MF 20% 16V	
	C 135	QERF0JM-476Z	E CAPACITOR	47MF 20% 6.3V	
	C 136	NCF31CZ-104X	C CAPACITOR		
	C 137	NCB31CK-103X	C CAPACITOR		
	C 138	QERF1AM-107Z	E CAPACITOR	100MF 20% 10V	
	CN101	QGF1016F3-15	15FFC CONNECTOR		
	CN102	QGF1016F3-15	15FFC CONNECTOR		
	IC101	ES3880F	IC	INC TECHNOLOGY	
	IC102	AT27C020-70JCU1	IC	INC TECHNOLOGY	
	IC103	GLT44016-35J4-X	IC	SAME PARTS	
	IC104	ES3883F	IC	INC TECHNOLOGY	
	IC105	RT9161/A-36CG-X	IC	INC TECHNOLOGY	
	K 101	NQR0398-006X	FERRITE BEADS	AOBA	
	K 102	NQR0398-006X	FERRITE BEADS		
	K 103	NRSA02J-180X	MG RESISTOR		
	K 104	NRSA02J-102X	MG RESISTOR		
	L 101	NQL591K-3R3X	P COIL	NOT YET REGISTE	
	L 102	NQL591K-3R3X	P COIL	NOT YET REGISTE	
	R 101	NRSA63J-472X	MG RESISTOR		
	R 102	NRSA63J-472X	MG RESISTOR		
	R 103	NRSA63J-472X	MG RESISTOR		
	R 104	NRSA63J-472X	MG RESISTOR		
	R 105	NRSA63J-472X	MG RESISTOR		
	R 106	NRSA63J-472X	MG RESISTOR		
	R 107	NRSA63J-472X	MG RESISTOR		
	R 108	NRSA63J-472X	MG RESISTOR		
	R 109	NRSA63J-102X	MG RESISTOR		
	R 111	NRSA63J-472X	MG RESISTOR		
	R 112	NRSA63J-472X	MG RESISTOR		
	R 113	NRSA63J-472X	MG RESISTOR		
	R 119	NRSA63J-0R0X	MG RESISTOR		
	R 120	NRSA63J-750X	MG RESISTOR		

△	Item	Parts number	Parts name	Remarks	Area
	R 121	NRSA63J-104X	MG RESISTOR		
	R 128	NRSA63J-330X	MG RESISTOR		
	R 130	NRSA63J-330X	MG RESISTOR		
	R 132	NRSA63J-271X	MG RESISTOR		
	R 133	NRSA63J-750X	MG RESISTOR		
	R 134	NRSA63J-750X	MG RESISTOR		
	R 135	NRSA63J-100X	MG RESISTOR		
	R 136	NRSA63J-100X	MG RESISTOR		
	R 137	NRSA63J-472X	MG RESISTOR		
	R 138	NRSA63J-472X	MG RESISTOR		
	R 139	NRSA63J-330X	MG RESISTOR		
	R 140	NRSA63J-472X	MG RESISTOR		
	R 141	NRSA63J-103X	MG RESISTOR		
	R 145	NRSA63J-221X	MG RESISTOR		
	R 146	NRSA63J-221X	MG RESISTOR		
	R 147	NRSA63J-221X	MG RESISTOR		
	R 148	NRSA63J-102X	MG RESISTOR		
	X 101	QAX0700-001Z	CRYSTAL	IKA TECH	

■ Electrical parts list (Head amplifier board) Block No. 06

△	Item	Parts number	Parts name	Remarks	Area	△	Item	Parts number	Parts name	Remarks	Area
	C 101	NCS21HJ-821X	C CAPACITOR				Q 371	2SA952/LK-T	TRANSISTOR	MOTER+B	
	C 102	NCS21HJ-221X	C CAPACITOR				Q 372	DTC124EKA-X	TRANSISTOR		
	C 103	QEKJ0JM-227Z	E CAPACITOR	220MF 20% 6.3V			Q 375	2SB562/C-T	TRANSISTOR	SOLENOID DRIVE	
	C 104	NCB21HK-333X	C CAPACITOR				Q 376	2SC2412K/RS/-X	CHIP TRANSISTOR		
	C 105	NCB21HK-222X	C CAPACITOR				R 101	NRSA63J-220X	MG RESISTOR		
	C 106	QEK41CM-106	E CAPACITOR	10MF 20% 16V			R 102	NRSA63J-182X	MG RESISTOR		
	C 107	NCS21HJ-561X	C CAPACITOR				R 103	NRSA63J-242X	MG RESISTOR		
	C 108	QEK41EM-475	E CAPACITOR	4.7MF 20% 25V			R 104	NRSA63J-122X	MG RESISTOR		
	C 109	QEK41EM-475	E CAPACITOR	4.7MF 20% 25V			R 105	NRSA63J-104X	MG RESISTOR		
	C 110	NCB21HK-682X	C CAPACITOR				R 106	NRSA63J-332X	MG RESISTOR		
	C 111	NCB21HK-152X	C CAPACITOR				R 107	NRSA63J-123X	MG RESISTOR		
	C 113	NCB21HK-393X	C CAPACITOR				R 108	NRSA63J-562X	MG RESISTOR		
	C 121	NCS21HJ-331X	C CAPACITOR				R 109	NRSA63J-102X	MG RESISTOR		
	C 201	NCS21HJ-821X	C CAPACITOR				R 110	NRSA63J-272X	MG RESISTOR		
	C 202	NCS21HJ-221X	C CAPACITOR				R 111	NRSA63J-363X	MG RESISTOR		
	C 203	QEKJ0JM-227Z	E CAPACITOR	220MF 20% 6.3V			R 112	NRSA63J-222X	MG RESISTOR		
	C 204	NCB21HK-333X	C CAPACITOR				R 116	NRSA63J-102X	MG RESISTOR		
	C 205	NCB21HK-222X	C CAPACITOR				R 121	NRSA63J-153X	MG RESISTOR		
	C 206	QEK41CM-106	E CAPACITOR	10MF 20% 16V			R 122	NRSA63J-102X	MG RESISTOR		
	C 207	NCS21HJ-561X	C CAPACITOR				R 201	NRSA63J-220X	MG RESISTOR		
	C 208	QEK41EM-475	E CAPACITOR	4.7MF 20% 25V			R 202	NRSA63J-182X	MG RESISTOR		
	C 209	QEK41EM-475	E CAPACITOR	4.7MF 20% 25V			R 203	NRSA63J-242X	MG RESISTOR		
	C 210	NCB21HK-682X	C CAPACITOR				R 204	NRSA63J-122X	MG RESISTOR		
	C 211	NCB21HK-152X	C CAPACITOR				R 205	NRSA63J-104X	MG RESISTOR		
	C 213	NCB21HK-393X	C CAPACITOR				R 206	NRSA63J-332X	MG RESISTOR		
	C 221	NCS21HJ-331X	C CAPACITOR				R 207	NRSA63J-123X	MG RESISTOR		
	C 301	QEKJ1AM-107Z	E CAPACITOR	100MF 20% 10V			R 208	NRSA63J-562X	MG RESISTOR		
	C 302	NCB21HK-393X	C CAPACITOR				R 209	NRSA63J-102X	MG RESISTOR		
	C 303	QEKJ0JM-227Z	E CAPACITOR	220MF 20% 6.3V			R 210	NRSA63J-272X	MG RESISTOR		
	C 304	QEKJ1CM-226Z	E CAPACITOR	22MF 20% 16V			R 211	NRSA63J-363X	MG RESISTOR		
	C 305	QEKJ1CM-226Z	E CAPACITOR	22MF 20% 16V			R 212	NRSA63J-222X	MG RESISTOR		
	C 306	QEK41CM-476	E CAPACITOR	47MF 20% 16V			R 216	NRSA63J-102X	MG RESISTOR		
	C 307	NCB21HK-103X	C CAPACITOR				R 221	NRSA63J-153X	MG RESISTOR		
	C 308	NCB21HK-152X	C CAPACITOR				R 222	NRSA63J-102X	MG RESISTOR		
	C 310	NCB21HK-223X	C CAPACITOR				R 301	NRS181J-221X	MG RESISTOR		
	C 313	QEKJ1AM-107Z	E CAPACITOR	100MF 20% 10V			R 303	NRSA63J-393X	MG RESISTOR		
	C 314	QCZ0205-155Z	ML C CAPACITOR	1.5MF			R 304	NRS181J-101X	MG RESISTOR		
	C 316	QFG32AJ-223Z	PP CAPACITOR	.022MF 5% 100V			R 305	NRSA63J-222X	MG RESISTOR		
	C 319	QFLM1HJ-472Z	M CAPACITOR	4700PF 5% 50V			R 310	QRJ146J-4R7X	UNF C RESISTOR	4.7 5% 1/4W	
	C 331	QEK41CM-476	E CAPACITOR	47MF 20% 16V			R 313	NRSA63J-2R2X	MG RESISTOR		
	C 334	QEK41EM-475	E CAPACITOR	4.7MF 20% 25V			R 314	NRSA63J-153X	MG RESISTOR		
	C 371	QEK41EM-475	E CAPACITOR	4.7MF 20% 25V			R 315	NRSA63J-101X	MG RESISTOR		
	C 374	QEKJ1AM-107Z	E CAPACITOR	100MF 20% 10V			R 327	NRSA63J-474X	MG RESISTOR		
	C 376	NCB21HK-103X	C CAPACITOR				R 335	NRSA63J-152X	MG RESISTOR		
	CN 31	QGF1201F3-06	CONNECTOR	PRI/HEAD			R 336	NRSA63J-472X	MG RESISTOR		
	CN 32	QGB2011M1-10	B TO B CONNECTO	PRI/MECHA			R 337	NRSA63J-332X	MG RESISTOR		
	CN 33	QGF1205F1-09	CONNECTOR	PRI/MICON			R 338	NRSA63J-392X	MG RESISTOR		
	CN 34	QGF1201F3-10	CONNECTOR	PRI/AMP			R 339	NRSA63J-222X	MG RESISTOR		
	D 375	MA3051/M-X	ZENER DIODE				R 340	NRS181J-391X	MG RESISTOR		
	FW 31	QUM024-06A2Z3	PARA RIBON WIRE				R 341	NRSA63J-123X	MG RESISTOR		
	IC 31	BA3126N	IC	HEAD SW			R 342	NRSA63J-203X	MG RESISTOR		
	IC 32	AN7317	IC	PB&REC			R 343	NRSA63J-183X	MG RESISTOR		
	IC 33	BU4094BCF-X	IC				R 345	NRSA63J-222X	MG RESISTOR		
	L 301	QQR1118-001	OSC COIL(BIAS)			△	R 353	QRZ9005-100X	F RESISTOR	10 1/0W	
	L 303	QQL244K-100Z	INDUCTOR				R 371	NRSA63J-123X	MG RESISTOR		
	Q 101	DTC114TKA-X	TRANSISTOR	70U/12U			R 372	NRSA63J-102X	MG RESISTOR		
	Q 103	DTC114TKA-X	TRANSISTOR	TAR			R 375	NRSA02J-151X	MG RESISTOR	1/8W	
	Q 201	DTC114TKA-X	TRANSISTOR	70U/12U			R 376	NRSA63J-472X	MG RESISTOR		
	Q 203	DTC114TKA-X	TRANSISTOR	TAR			VR 31	QVP0008-203Z	SEMI V RESISTOR	BIAS ADJ	
	Q 302	2SC2001/K-T	TRANSISTOR	OSC			VR 37	QVP0008-103Z	SEMI.V.RESISTOR	TAPE SPEED ADJ	
	Q 305	2SC2001/LK-T	TRANSISTOR	SW							
	Q 321	DTC144EKA-X	TRANSISTOR	BUFFER							
	Q 331	DTC114TKA-X	TRANSISTOR								

■ Electrical parts list (Cassette switch board) Block No. 07

△	Item	Parts number	Parts name	Remarks	Area
	CN 1	QGB2011L1-10	B TO B CONNECTO		
	D 1	1SR139-400-T2	SI DIODE		
	IC 1	SG-105F3-BB,C	PHOTO SENSER		
	P 1	QNZ0104-001	POST PIN		
	SW 1	QSW0832-001	LEAF SWITCH	R.REC	
	SW 2	QSW0832-001	LEAF SWITCH	TAPE	
	SW 4	QSW0832-001	LEAF SWITCH	70U	
	SW 5	QSW0832-001	LEAF SWITCH	F.REC	
	SW 6	QSW0859-001	DETECT SWITCH		

< MEMO >

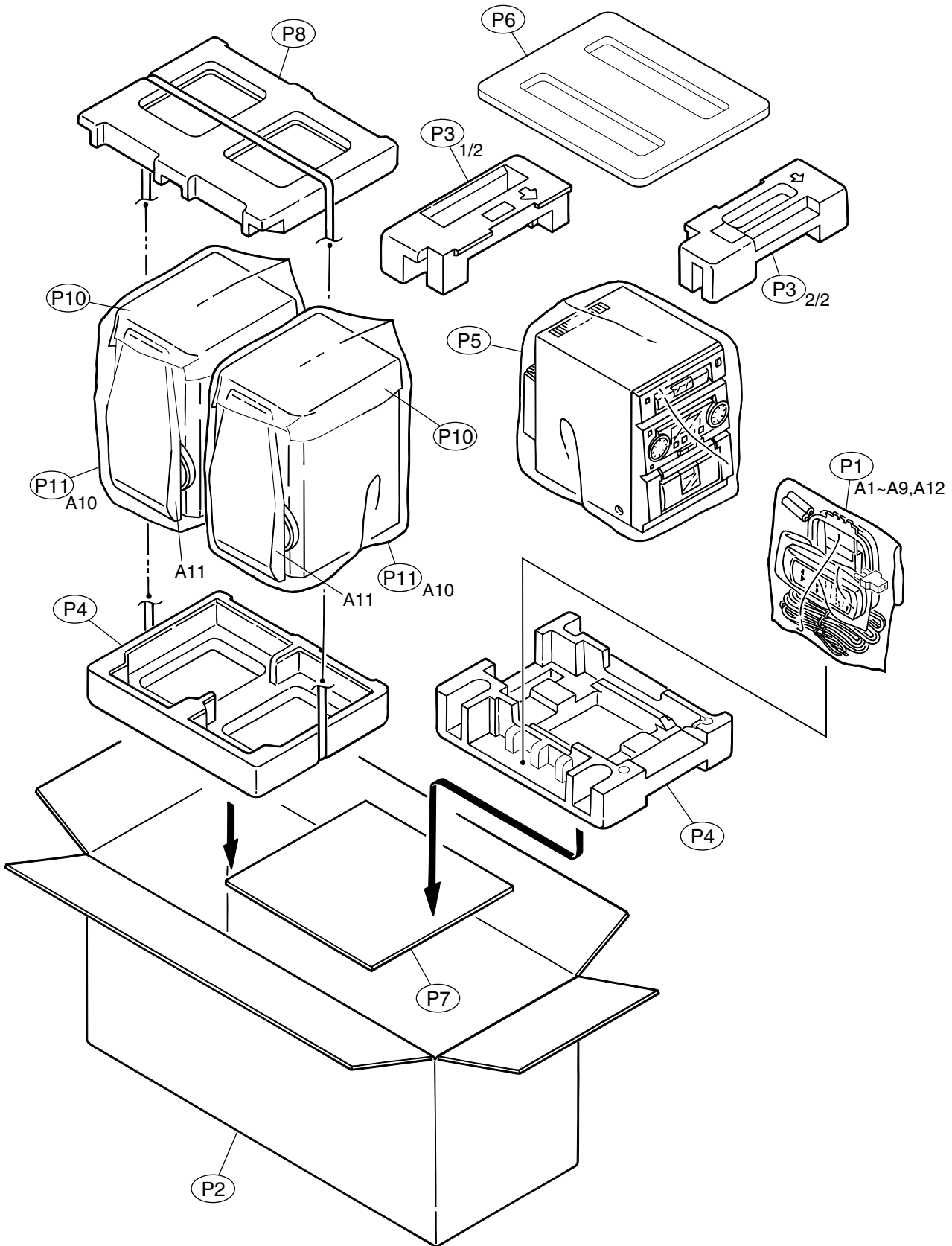
# Packing materials and accessories parts list

Block No. 

M	3	M	M
---	---	---	---

Block No. 

M	5	M	M
---	---	---	---





**Parts list (Packing)**

Block No. M3MM

△	Item	Parts number	Parts name	Q'ty	Description	Area
	P 1	QPC02503515P	POLY BAG	1		
	P 2	GV20145-001A	CARTON ASSY	1	UX-P78V MASTER	
	P 3	GV10070-001A	CUSHION UPPER	1		
	P 4	GV10075-001A	CUSHION BOTTOM	1		
	P 5	QPC05006515P	POLY BAG	1		
	P 6	GV30222-001A	CUSHION PAD	1		
	P 7	GV40237-001A	PACKING SPACER	1		
	P 8	80-000-448-11	TOP CUSHION	1	UXP78K-SPBOX	
	P 9	80-000-448-01	BOTTOM CUSHION	1	UXP78K-SPBOX	
	P 10	85-000-396-41	MIRAMAT	1	UXP78K-SPBOX	
	P 11	85-000-376-01	POLY BAG	1	UXP78K-SPBOX	

**Parts list (Accessories)**

Block No. M5MM

△	Item	Parts number	Parts name	Q'ty	Description	Area
	A 1	QAL0014-001	AM LOOP ANT	1		
	A 2	EWP503-001C	ANT.WIRE	1		
	A 3	GVT0070-003A	INST.BOOK	1	ENG CHI(PEKIN)	
		GVT0070-003A	INST.BOOK	1	THA	
	A 4	QAM0216-001	SIGNAL CORD	1		
△	A 5	QAM0112-001	AC PLUG ADAPTER	1		
	A 6	RM-SUXP78V	REMOCON	1		
	A 7	-----	BATTERY	2		
	A 8	QAM0339-001	SPEAKER CORD	2	MAIN SPK.(L/R)	
	A 9	QAM0340-001	SPEAKER CORD	2	SUBWOOFER(L/R)	
	A 10	UXP78K-SPBOX	SPEAKER BOX	2		
	A 11	99-130-071-01	SARAN NET	1	WHITE CLOTH	
	A 12	GV20162-001A	SHEET	1		